

PART NO.

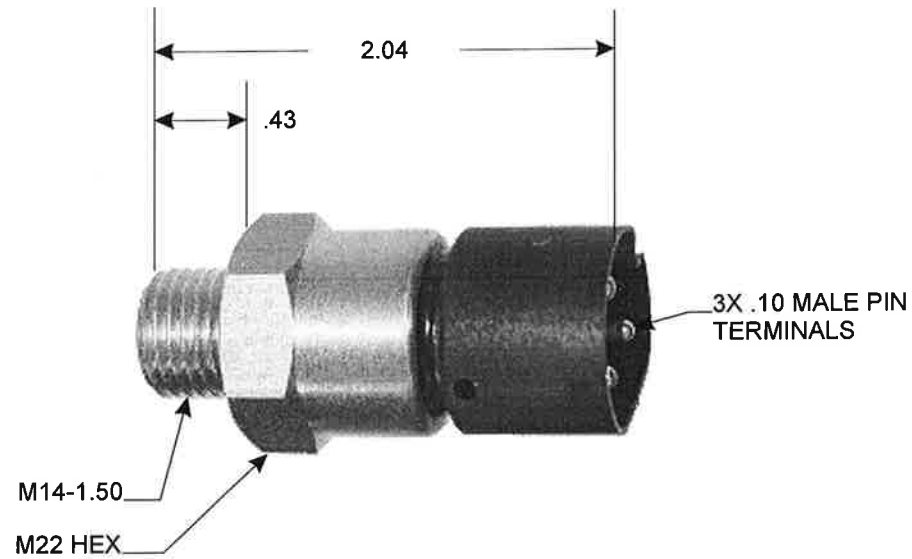
SW940

TOLERANCES UNLESS SPECIFIED

TWO PLACE DECIMALS +/- .015

THREE PLACE DECIMALS +/- .005

ANGLES +/- 1°



REPLACES O.E.M. # 61311-378073

					MATERIAL	SCALE	NTS	WELLS MFG. CORP. FOND DU LAC, WISCONSIN	
						DATE	10-29-97	DWN. BY	DPH
					FINISH	ENGINEER	10-29-97	DAL	TITLE
						APPROVED	10-29-97	JSK	COOLING FAN SWITCH
						PURCH.	<input type="checkbox"/>	PROD.	<input type="checkbox"/>
RELEASED		20526	1-28-97	DPH	CAD REF.	MODEL	PART NO. SW940		
L	REVISION	CN	DATE	BY	SW940				