

PART NO.

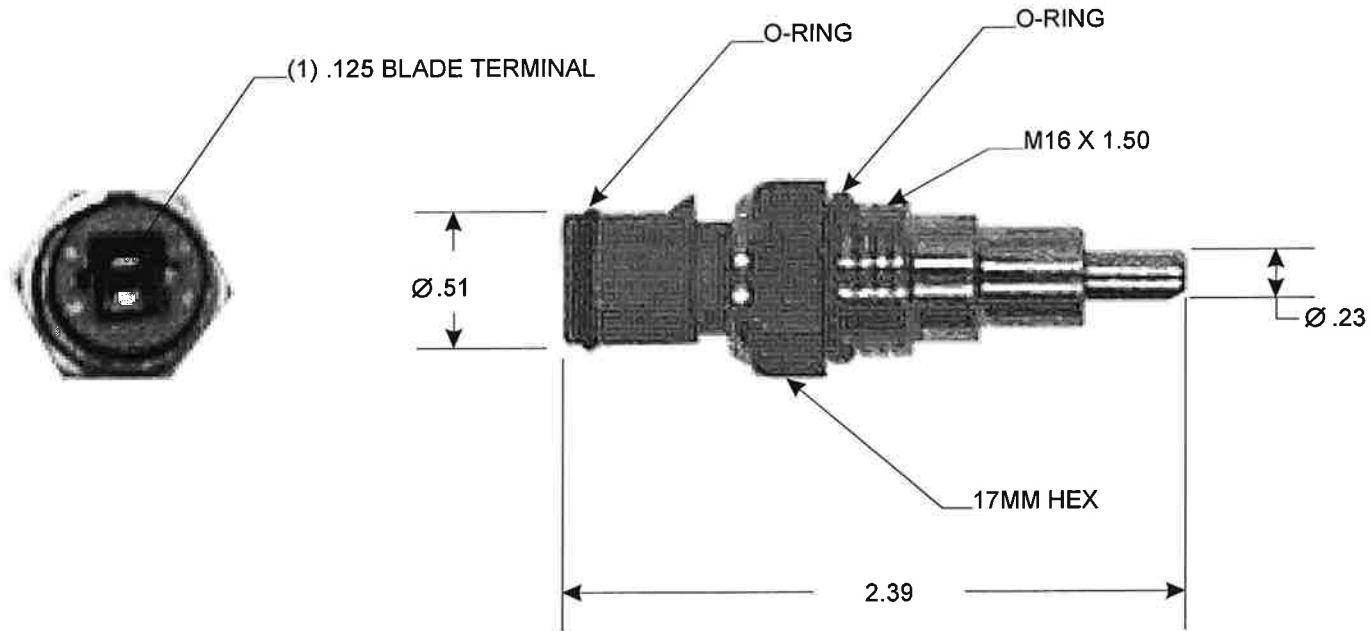
SW652

TOLERANCES UNLESS SPECIFIED

TWO PLACE DECIMALS +/- .015

THREE PLACE DECIMALS +/- .005

ANGLES +/- 1°



REPLACES O.E.M.# 94846018, 89428-15011

NOTES:
 (A) 1. NORMALLY CLOSED CIRCUIT,
 OPENS AT 197°F ± 8°F.

					MATERIAL	SCALE	NTS	WELLS MFG. CORP. FOND DU LAC, WISCONSIN	
						DATE	5-21-97	DWN. BY	DWJ
					FINISH	ENGINEER	5-21-97	DAL	TITLE
A	ADDED NOTE	22098	1-13-99	DPH		APPROVED	5-21-97	JSK	COOLING FAN SWITCH
	RELEASED	19395A	7-1-97	DWJ		PURCH.	<input type="checkbox"/>	PROD.	<input type="checkbox"/>
L	REVISION	CN	DATE	BY	CAD REF.	MODEL			PART NO.
					SW652				SW652