

PART NO.

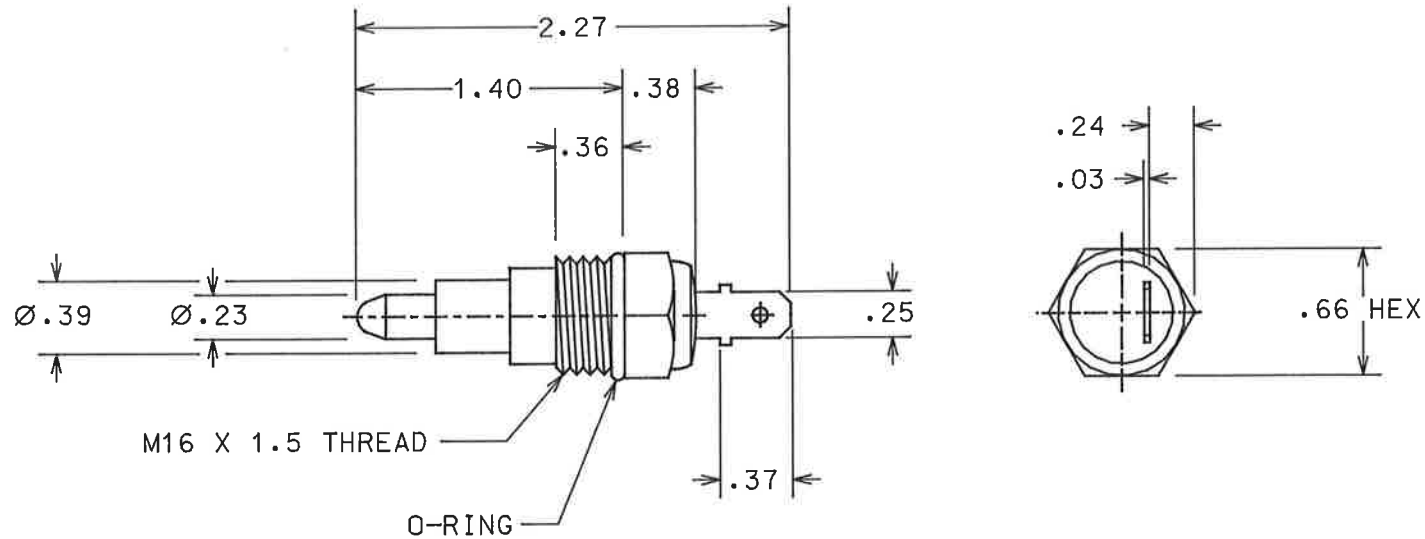
SW611

TOLERANCES UNLESS SPECIFIED

TWO PLACE DECIMALS +/- .015

THREE PLACE DECIMALS +/- .005

ANGLES +/- 1°



NORMALLY OPEN CIRCUIT  
 CIRCUIT CLOSING @ 194° F ±9°  
 CIRCUIT OPENS @ 185° F ±9°

NOTE:

1. REFERENCE "ANSI Y14.5M-1982"
2. NO LABELS ARE PERMITTED ON OR BELOW THE THREADS OF THE HOUSING.

REPLACES O.E.M. #MB356842

					MATERIAL	SCALE NTS	WELLS MFG. CORP. FOND DU LAC, WISCONSIN
						DATE 11-10-94 BY DWN. KLH	
					FINISH	ENGINEER 11-10-94 DAL	TITLE COOLING FAN SWITCH
						APPROVED 11-10-94 JSK	
RELEASED	18796A	11-10-94	KLH			PURCH. <input type="checkbox"/> PROD. <input type="checkbox"/>	PART NO. SW611
L	REVISION	CN	DATE	BY	CAD REF. SW611	MODEL	