

PART NO.

SW593

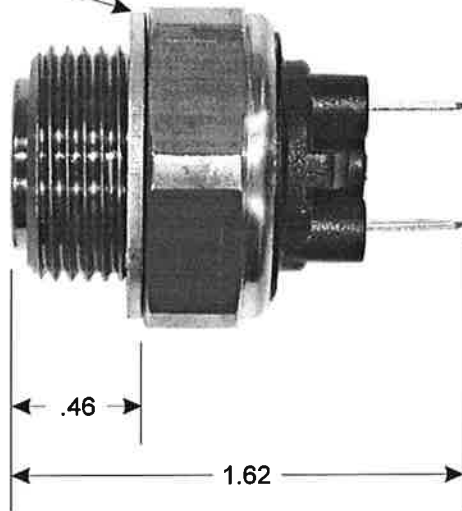
TOLERANCES UNLESS SPECIFIED

TWO PLACE DECIMALS +/- .015

THREE PLACE DECIMALS +/- .005

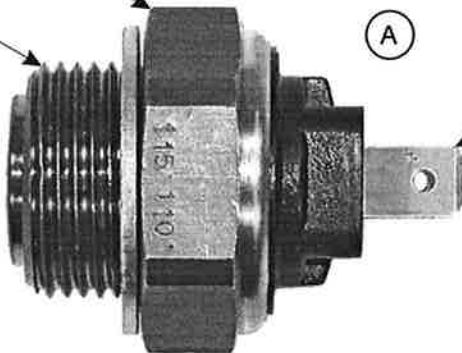
ANGLES +/- 1°

METAL WASHER



M29 HEX

M22-1.50



2X .25 MALE
BLADE TERMINALS

CIRCUIT	
CLOSING CIRCUIT	110°C ± 5°C
OPENING CIRCUIT	115°C ± 5°C
DIFFERENTIAL	≥ 5°C



REPLACES O.E.M. # 9526526, 4086724

				MATERIAL	N/A	SCALE	NTS	WELLS MANUFACTURING CORP. FOND DU LAC, WISCONSIN		
						DATE	8-6-97		DWN. BY	DPH
				FINISH	N/A	ENGINEER	8-6-97	DAL	TITLE	COOLING FAN SWITCH
A	RETOOK PICTURES USING OPTIONAL PART	23492	8/21/00	KLH		APPROVED	8-6-97	JSK	PART NO.	SW593
	RELEASED	19458A	10-3-95	DPH		PURCH.	<input type="checkbox"/>	PROD.	<input type="checkbox"/>	
L	REVISION	CN	DATE	BY	CAD REF.	SW593	MODEL			