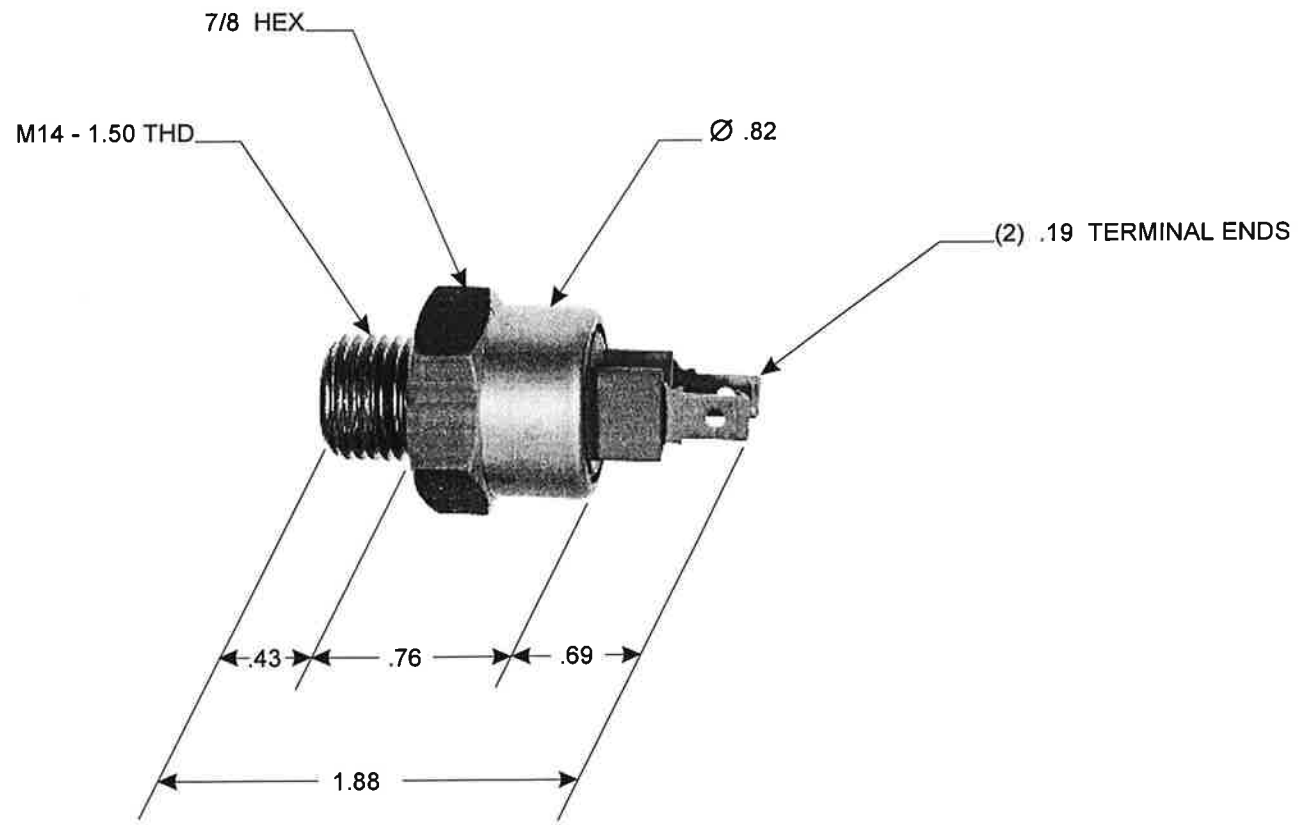


PART NO. **SW572**

TOLERANCES UNLESS SPECIFIED		
TWO PLACE DECIMALS +/- .015	THREE PLACE DECIMALS +/- .005	ANGLES +/- 1°



SWITCH NORMALLY OPEN
CLOSES @ 99°C

REPLACES O.E.M. # 61311-364273

					MATERIAL	SCALE	NTS	WELLS MFG. CORP. FOND DU LAC, WISCONSIN COOLING FAN SWITCH			
					FINISH	DATE	8-4-97		DWN. BY SAM		
						ENGINEER	8-4-97		DAL		
						APPROVED	8-4-97		JSK		
RELEASED		19456A	10-2-95	SAM	CAD REF. SW572	PURCH.	<input type="checkbox"/>	PROD.	<input type="checkbox"/>	PART NO.	SW572
L	REVISION	CN	DATE	BY		MODEL					