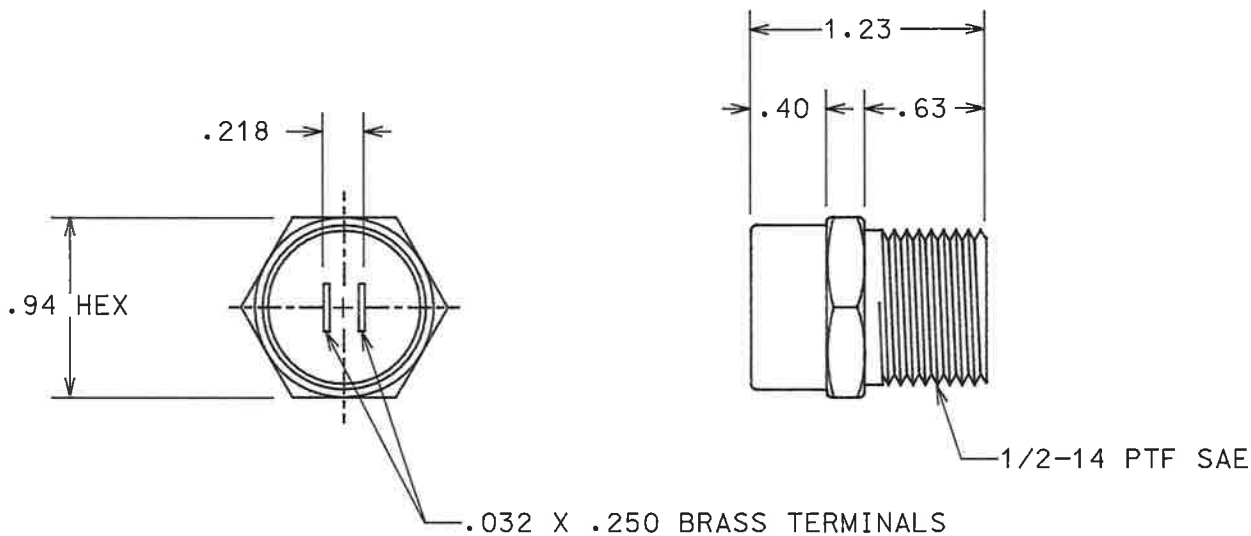


PART NO. SW530

TOLERANCES UNLESS SPECIFIED		
TWO PLACE DECIMALS +/- .015	THREE PLACE DECIMALS +/- .005	ANGLES +/- 1°



OPEN TEMP. 159°F MIN.
 CLOSE TEMP. 184° ±7°F
 MIN. DIFF. 10°F
 AMBIENT RATING -40°C TO 149°C

- (A) NOTES:
 1. REFERENCE "ANSI Y14.5M-1982".
 2. NO LABELS ARE PERMITTED ON OR BELOW THE THREADS OF THE HOUSING.

REPLACES O.E. CHRYSLER #4221284

				MATERIAL	SCALE NTS	WELLS MFG. CORP. FOND DU LAC, WISCONSIN
					DATE 3-12-93 DWN. BY KEP	
				FINISH	CHECKED 3-12-93 DAL	TITLE COOLANT FAN SWITCH
A	ADDED NOTES.	19235	6-30-95	MCS	APPROVED	
	RELEASED	17744A	3-12-92	KEP	PURCH. <input type="checkbox"/> PROD. <input type="checkbox"/>	PART NO. SW530
L	REVISION	CN	DATE	BY	CAD REF. SW530	MODEL