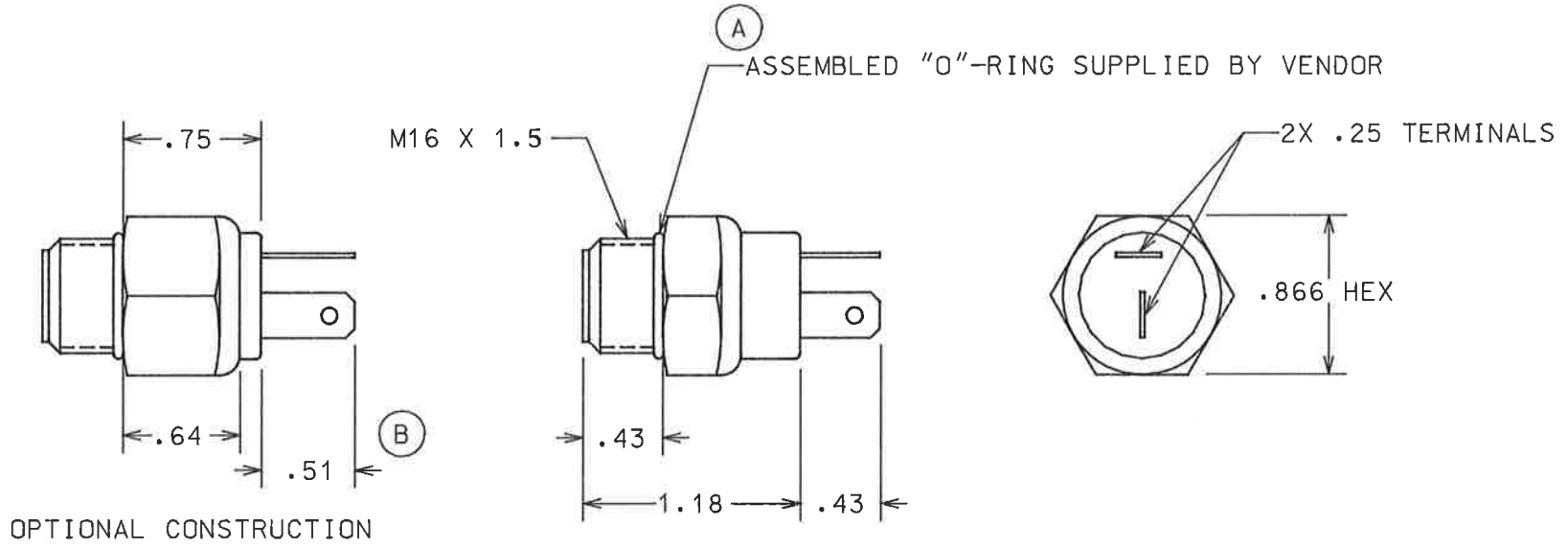


PART NO. SW519

TOLERANCES UNLESS SPECIFIED	
TWO PLACE DECIMALS +/- .015	THREE PLACE DECIMALS +/- .005
ANGLES +/- 1°	



(A) CLOSING CIRCUIT = 95° ±5° C  
 OPENING CIRCUIT = 90° ±5° C  
 DIFFERENTIAL = ±3° C

(C) NOTES:  
 1. REFERENCE "ANSI Y14.5M-1982".  
 2. NO LABELS ARE PERMITTED ON OR BELOW THE THREADS OF THE HOUSING.

REPLACES O.E. SUBARU #83052-GA050

				MATERIAL	SCALE NTS	WELLS MFG. CORP. FOND DU LAC, WISCONSIN
C	ADDED NOTES.	19235	6-30-95	MCS	DATE 10-17-91 BY DWN. KEP	
B	REVISED	17381	4-6-94	MAS	CHECKED 10-17-91 DL	TITLE COOLANT FAN SWITCH
A	ADD SPEC. NOTES	17406	8-7-92	KEP	APPROVED 10-17-91 BWS	PART NO. SW519
	RELEASED	16963	10-17-91	KEP	PURCH. <input type="checkbox"/> PROD. <input type="checkbox"/>	
L	REVISION	CN	DATE	BY	CAD REF. SW519	MODEL