

PART NO.

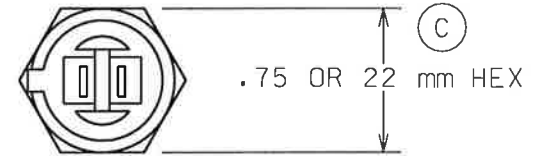
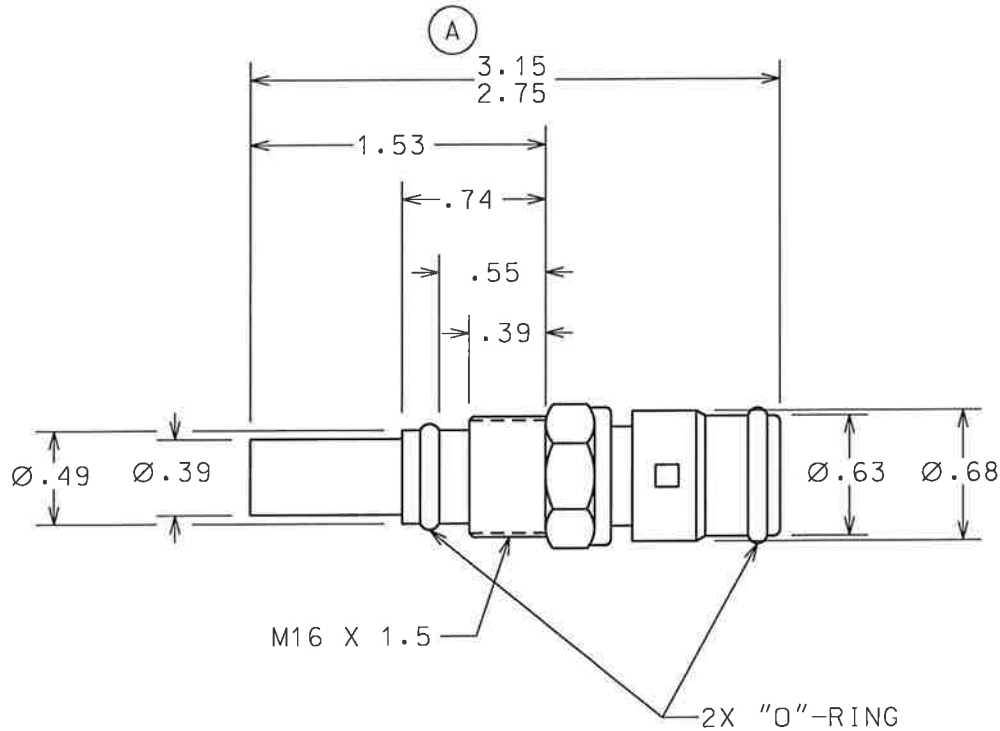
SW517

TOLERANCES UNLESS SPECIFIED

TWO PLACE DECIMALS +/- .015

THREE PLACE DECIMALS +/- .005

ANGLES +/- 1°



SWITCH SPECIFICATIONS (NORMALLY CLOSED)  
 OFF = 90°C ±3°C  
 ON DIFF. = 7°C ±4°C

NOTES:

- 1. REFERENCE "ANSI Y14.5M-1982".
- 2. DIMENSIONS SHOWN ARE FOR IDENTIFICATION REFERENCE.
- 3. NO LABELS ARE PERMITTED ON OR BELOW THE THREADS OF THE HOUSING.

REPLACES O.E. TOYOTA #89428-15030

				MATERIAL	N/A	SCALE	FULL	<b>WELLS</b> MANUFACTURING CORP. FOND DU LAC, WISCONSIN		
C	ADDED 22mm	26553	6-11-03	GC		DATE	6-21-91		DWN. BY KEP	
B	ADDED NOTES #1 & 3.	19235	6-30-95	MCS	FINISH	ENGINEER	6-21-91	DL	TITLE	
A	WAS 2.75	17547	10-19-92	MAS	N/A	APPROVED	6-21-91	BWS	COOLANT FAN SWITCH	
	RELEASED	16795	6-21-91	KEP		PURCH.	<input type="checkbox"/>	PROD.	<input type="checkbox"/>	PART NO.
L	REVISION	CN	DATE	BY	CAD REF.	N/A	MODEL			SW517