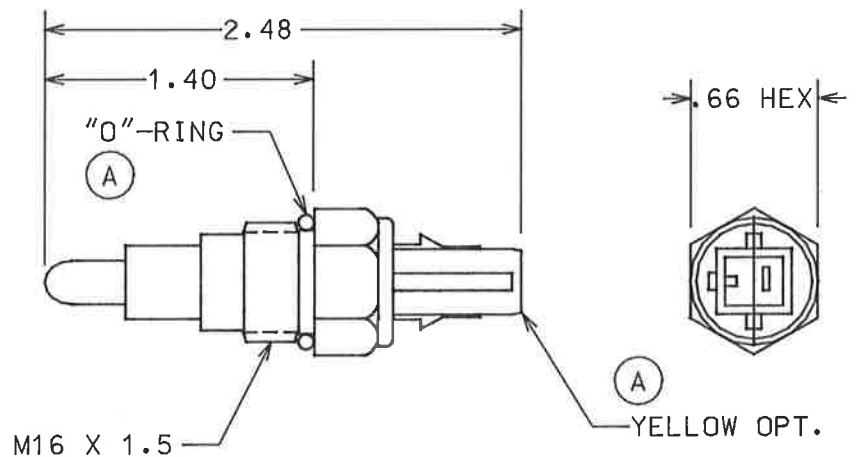


PART NO. SW516

TOLERANCES UNLESS SPECIFIED		
TWO PLACE DECIMALS +/- .015	THREE PLACE DECIMALS +/- .005	ANGLES +/- 1°



SWITCH SPECIFICATION (NORMAL-OPEN)
 ON = 105°C ±3°C
 OFF DIFF. = 7°C ±4°C

- NOTES:
- 1. REFERENCE "ANSI Y14.5M-1982".
 - 2. DIMENSIONS SHOWN ARE FOR IDENTIFICATION REFERENCE.
 - 3. NO LABELS ARE PERMITTED ON OR BELOW THE THREADS OF THE HOUSING.

(B)

REPLACES TOYOTA O.E. #89427-12011

				MATERIAL	SCALE NTS	WELLS MFG. CORP. FOND DU LAC, WISCONSIN	
					DATE 6-21-91	TITLE	
B	ADDED NOTES #1 & 3.	19235	6-30-95	MCS	BY DWN. KEP	COOLANT FAN SWITCH	
A	"O"-RING AND OPT. ADDED	17543	10-19-92	MAS	CHECKED 6-21-91 DL	PART NO.	
	RELEASED	16795	6-21-91	KEP	APPROVED 6-21-91 BWS	SW516	
L	REVISION	CN	DATE	BY	PURCH. <input type="checkbox"/> PROD. <input type="checkbox"/>		
				CAD REF. SW516	MODEL		