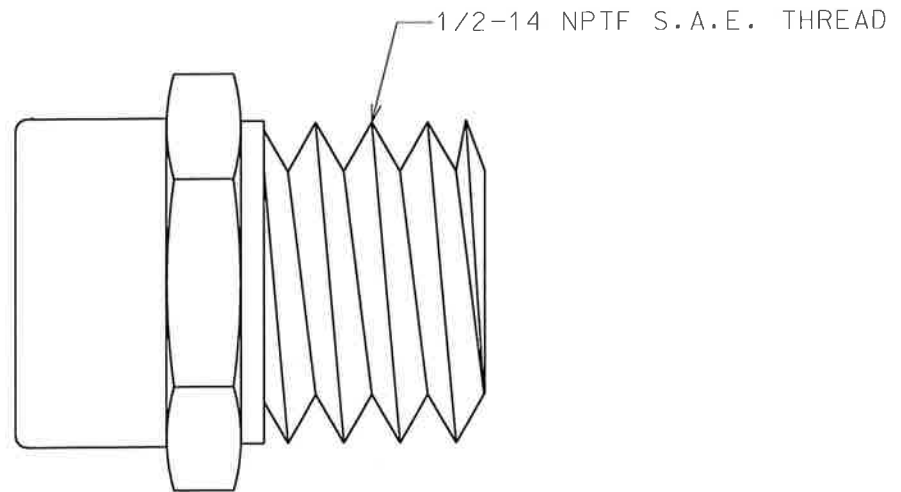
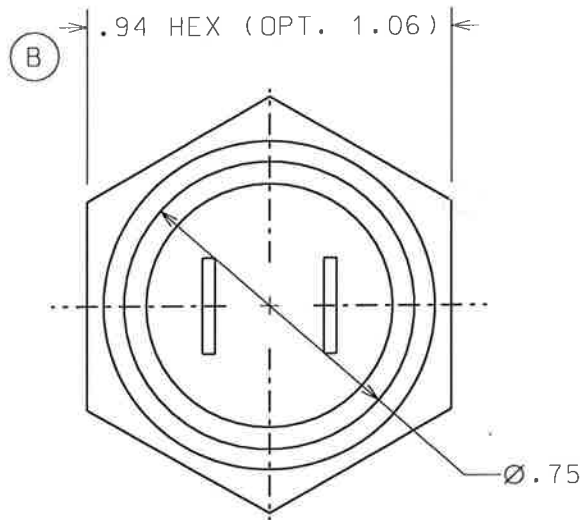


PART NO. SW514

TOLERANCES UNLESS SPECIFIED	
TWO PLACE DECIMALS +/- .015	THREE PLACE DECIMALS +/- .005
ANGLES +/- 1°	



NOTES:

1. REFERENCES "ANSI Y14.5M-1982".
2. NO LABELS ARE PERMITTED ON OR BELOW THE THREADS OF THE HOUSING.
3. OPEN TEMP. 170°F MIN.
CLOSED TEMP. 200°F ±10°
MIN. DIFF. 10°F.

					MATERIAL	SCALE 2" = 1"	WELLS MANUFACTURING CORP. FOND DU LAC, WISCONSIN
						DATE 1-24-91 DWN. BY KEP	
B	ADDED OPT. 1.06	23604	9-27-00	DAB	FINISH	ENGINEER 1-24-91 BP	TITLE
A	ADDED NOTE #1 & 2.	19235	6-30-95	MCS		APPROVED 2-4-91 BWS	COOLING FAN SWITCH
	RELEASED	16559	1-24-91	KEP		PURCH. <input type="checkbox"/> PROD. <input type="checkbox"/>	PART NO.
L	REVISION	CN	DATE	BY	CAD REF. SW514	MODEL	SW514