

PART NO.

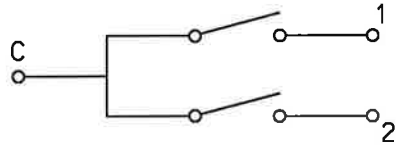
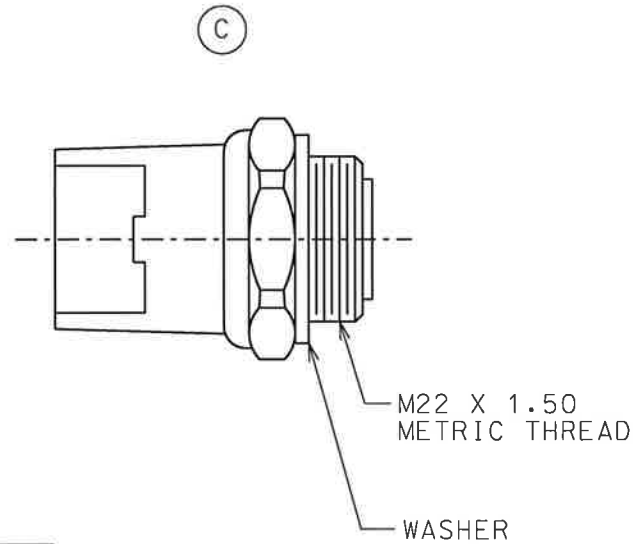
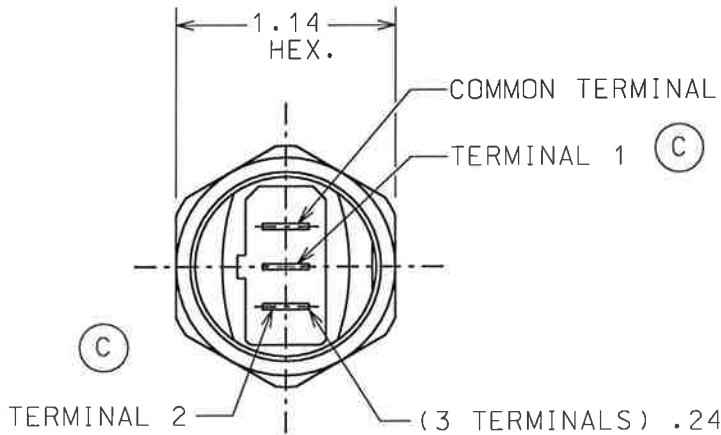
SW509A

TOLERANCES UNLESS SPECIFIED

TWO PLACE DECIMALS +/- .015

THREE PLACE DECIMALS +/- .005

ANGLES +/- 1°



CIRCUIT DIAGRAM

TERMINAL	1	2
CIRCUIT CLOSSES (INC. TEMP.)	203°F	215°F
CIRCUIT OPENS (DEC. TEMP.)	185°F	188°F

NOTES:

1. SEE TABLE FOR NOMINAL SWITCH POINTS BETWEEN TERMINALS 1 & 2 AND COMMON TERMINAL.
2. NO LABELS ARE PERMITTED ON OR BELOW THE THREADS OF THE HOUSING.

REF. NIIA S2526 NPR 833
REPLACES O.E. # 321 959 481 A.C.D

					MATERIAL	N/A	SCALE	FULL	WELLS MANUFACTURING CORP. FOND DU LAC, WISCONSIN			
					FINISH	N/A	DATE	5-4-00		DWN. BY	KLH	
C	ADDED TABLE. TERMINAL 10'S; DELETED DIMENSIONS; REVISED NOTES	24838	11-15-01	KLH			ENGINEER	5-4-00		DAL	TITLE	RADIATOR FAN SWITCH
B	REDRAWN	23239	5-4-00	KLH			APPROVED	5-4-00		JSK	PART NO.	SW509A
L	REVISION	CN	DATE	BY	CAD REF.	SW509A	PURCH.	<input type="checkbox"/>	PROD.	<input type="checkbox"/>	MODEL	