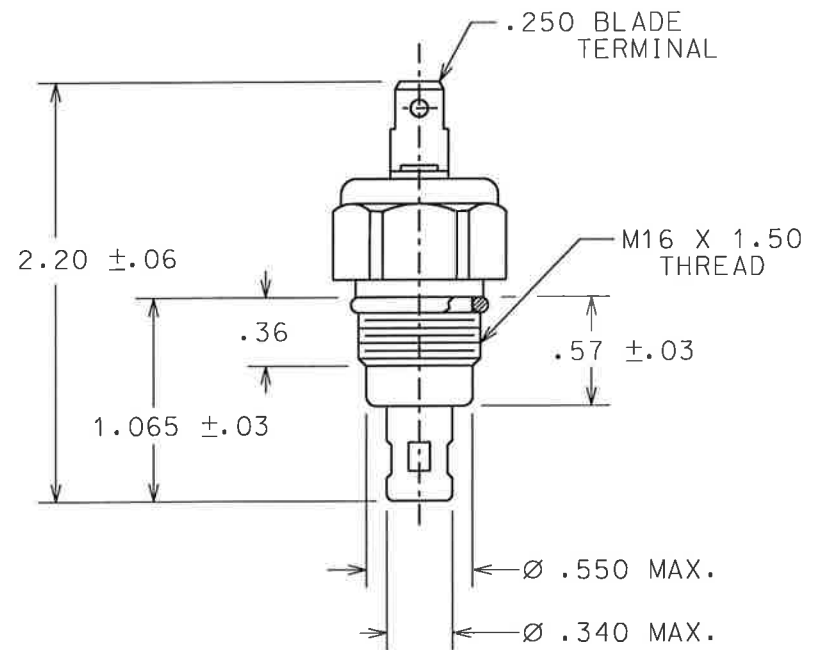
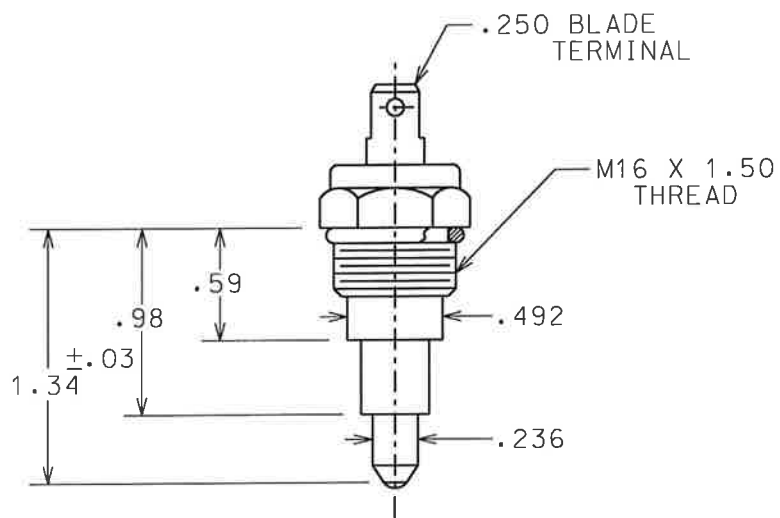
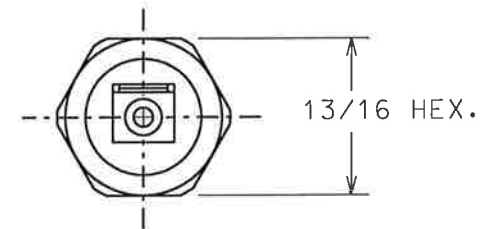
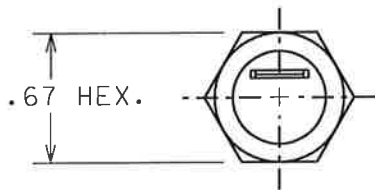


PART NO. SW508A

TOLERANCES	UNLESS	SPECIFIED
TWO PLACE DECIMALS +/- .015	THREE PLACE DECIMALS +/- .005	ANGLES +/- 1°

- NOTES:
1. REFERENCE "ASME Y14.5M-1994".
 2. SWITCH MAKES CONTACT BETWEEN TERMINAL AND HOUSING AT 190°F (88°C) ±9°F.
 3. NO LABELS ARE PERMITTED ON OR BELOW THE THREADS OF THE HOUSING.



ALTERNATE CONSTRUCTION

REPLACES O.E. # MB007639

				MATERIAL	N/A	SCALE	FULL	WELLS MANUFACTURING CORP. FOND DU LAC, WISCONSIN			
				FINISH	N/A	DATE	5-4-00		DWN. BY	KLH	
						ENGINEER	5-4-00		TWF	TITLE	COOLING FAN SWITCH
B	REDRAWN	23239	5-4-00	KLH		APPROVED	5-4-00		JSK	PART NO.	SW508A
L	REVISION	CN	DATE	BY	CAD REF.	SW508A	MODEL				