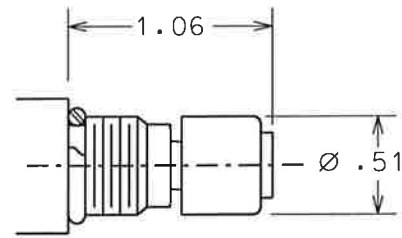
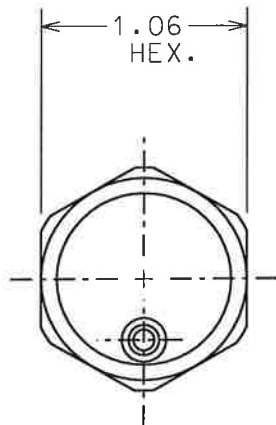
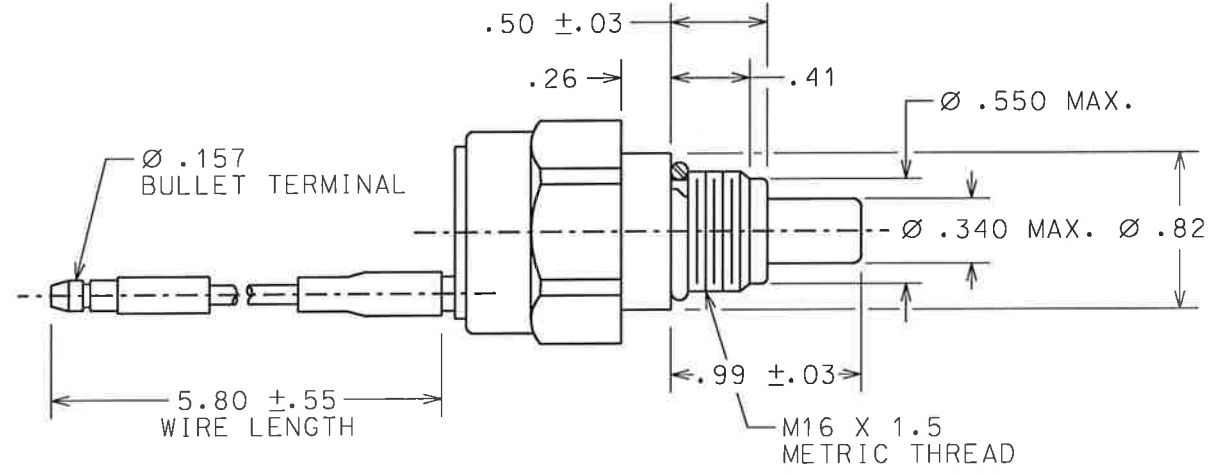


PART NO. SW507A

TOLERANCES UNLESS SPECIFIED		
TWO PLACE DECIMALS +/- .015	THREE PLACE DECIMALS +/- .005	ANGLES +/- 1°



OPTIONAL END



- NOTES:
1. REFERENCE "ASME Y14.5M-1994".
 2. SWITCH MAKES CONTACT BETWEEN TERMINAL AND HOUSING AT 204°F ±8°F (95°C ±5°C).
 3. NO LABELS ARE PERMITTED ON OR BELOW THE THREADS OF THE HOUSING.

REPLACES O.E. # 68215-1150

				MATERIAL	N/A	SCALE	FULL		
				FINISH	N/A	DATE	5-4-00		DWN. BY: KLH ENGINEER: 5-4-00 TWF APPROVED: 5-4-00 JSK
B	REDRAWN	23239	5-4-00	KLH		PURCH. <input type="checkbox"/> PROD. <input type="checkbox"/>			TITLE
L	REVISION	CN	DATE	BY	CAD REF. SW507A	MODEL			COOLING FAN SWITCH PART NO. SW507A