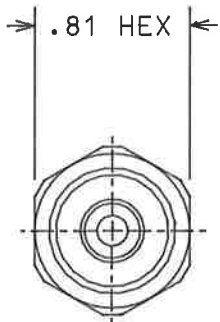
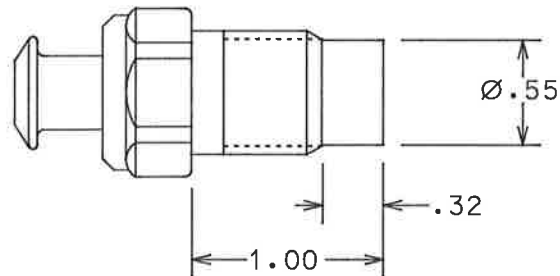
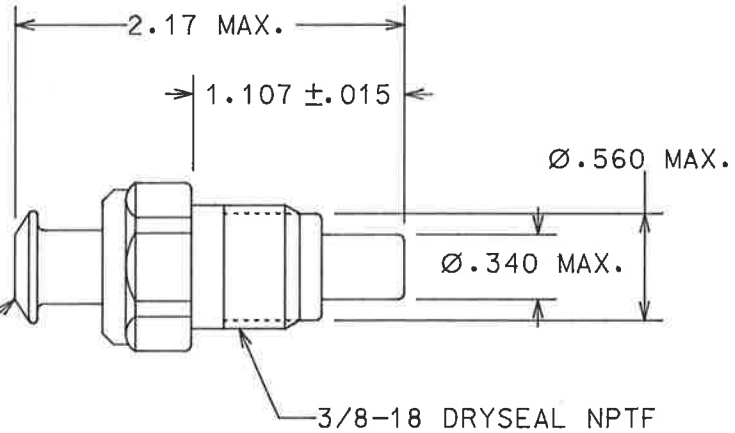


PART NO. SW500

TOLERANCES UNLESS SPECIFIED		
TWO PLACE DECIMALS +/- .015	THREE PLACE DECIMALS +/- .005	ANGLES +/- 1°



RECESSED POST .09 I.D., .14 O.D.



ALTERNATE DESIGN

NOTES:

1. REFERENCE "ANSI Y14.5M-1982".
2. TERMINAL MAKES CONTACT WITH HOUSING AT 230° ±8°F. SWITCH IS SNAP ACTION WITH A CURRENT RATING OF .5 AMPS RESISTIVE OR INDUCTIVE AT 12 VOLTS DC.
3. NO LABELS ARE PERMITTED ON OR BELOW THE THREADS OF THE HOUSING.



REPLACES O.E. '80-'83 GM #3040674, 10010693, 14001889

				MATERIAL	SCALE NTS	WELLS MFG. CORP. FOND DU LAC, WISCONSIN
					DATE 9-2-91 BY DWN. KEP	
				FINISH	CHECKED 9-2-91 SS	TITLE
G	ADDED NOTE #3	19235	6-30-95	MCS	APPROVED 9-2-91 BWS	FAN SWITCH
F	REDRAWN, ADD ALTERNATE DESIGN	16893	9-2-91	KEP	PURCH. <input type="checkbox"/> PROD. <input type="checkbox"/>	PART NO.
L	REVISION	CN	DATE	BY	CAD REF. SW500	MODEL
						SW500