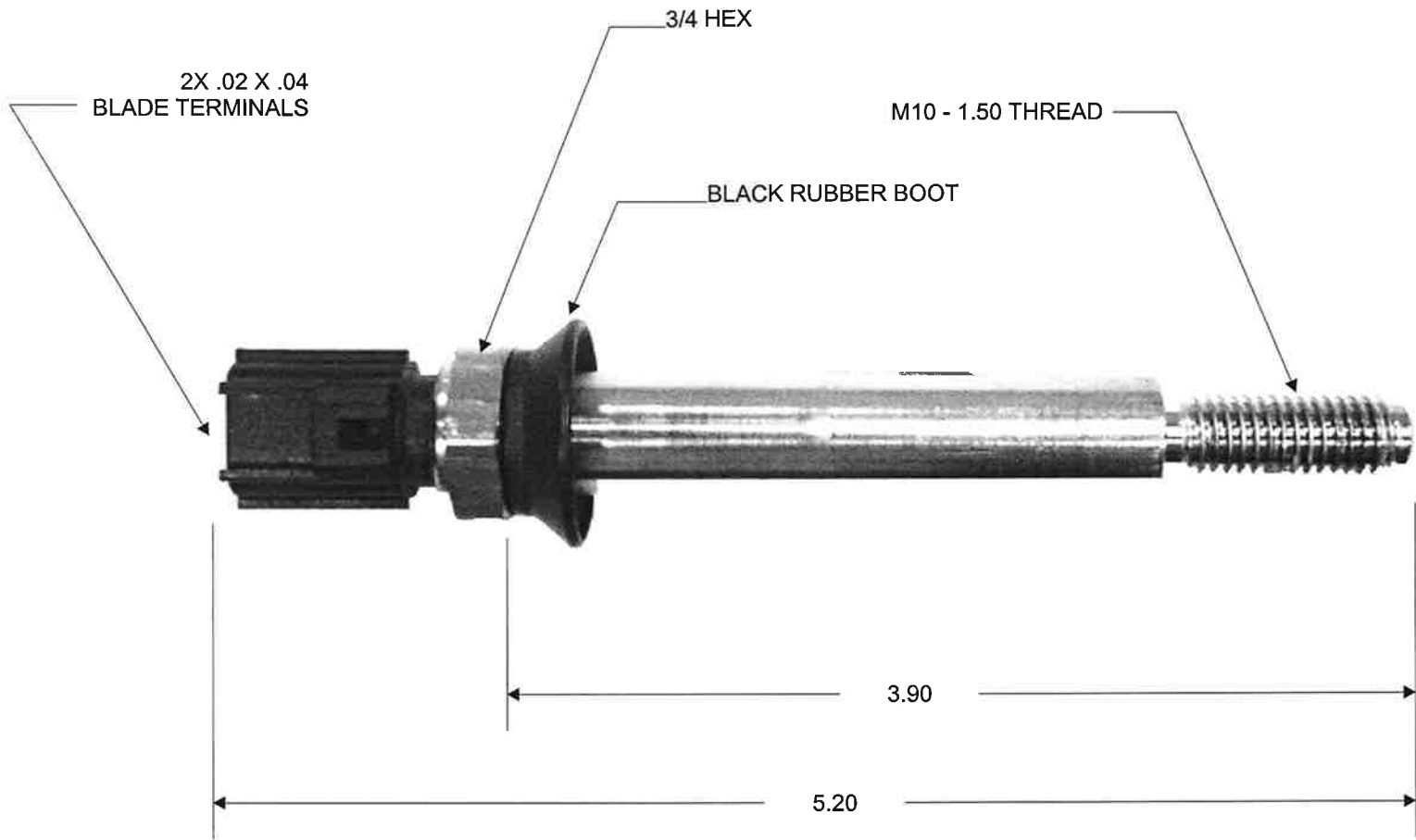


PART NO. SW4088

TOLERANCES UNLESS SPECIFIED
 TWO PLACE DECIMALS +/- .015 THREE PLACE DECIMALS +/- .005 ANGLES +/- 1°



REPLACES OE # 02XR813484

				MATERIAL	N/A	SCALE	NTS			
						DATE	11-20-03		DWN. BY	KFJ
				FINISH	N/A	ENGINEER	11-20-03		DAL	
						APPROVED	11-20-03		JSK	
						PURCH.	<input type="checkbox"/>		PROD.	<input type="checkbox"/>
RELEASED DRAWING	26806A	11-20-03	KFJ	CAD REF.	N/A	MODEL	N/A	TITLE		COOLANT FAN SWITCH
L	REVISION	CN	DATE	BY				PART NO.		SW4088