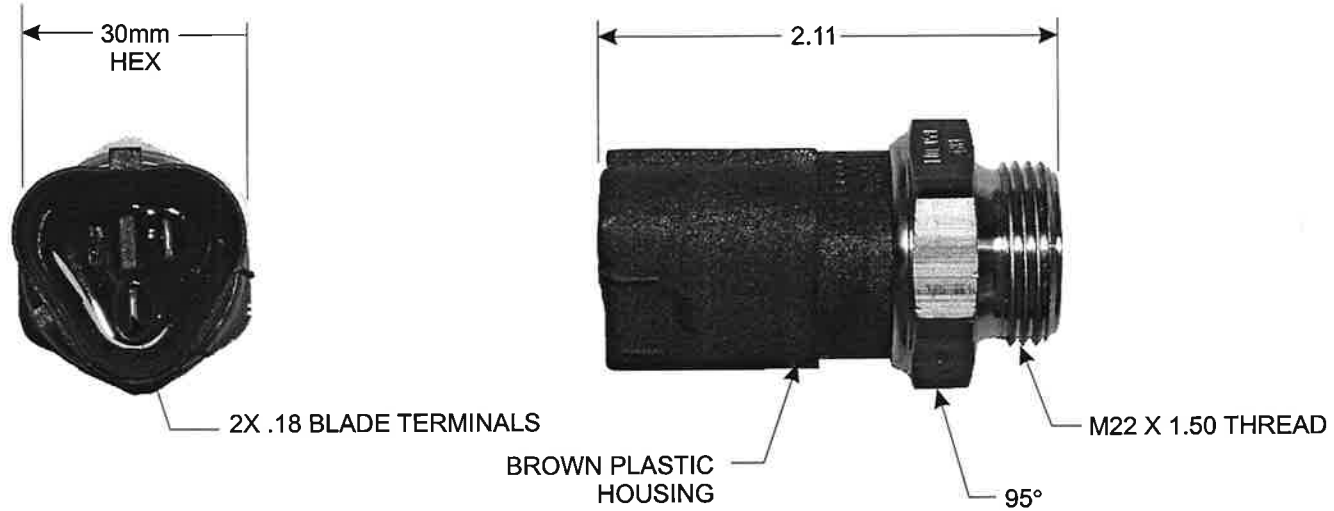


PART NO. **SW4075**

TOLERANCES UNLESS SPECIFIED		
TWO PLACE DECIMALS +/- .015	THREE PLACE DECIMALS +/- .005	ANGLES +/- 1°



REPLACES O.E.M. # 1J0 959 481

				MATERIAL	N/A	SCALE	NTS				
						DATE	8-21-03		DWN. BY	SAM	
				FINISH	N/A	ENGINEER	8-21-03			DL	
						APPROVED	8-21-03			JSK	
	RELEASED DRAWING	26191A	8-21-03	SAM		PURCH.	<input type="checkbox"/>	PROD.	<input type="checkbox"/>	TITLE	COOLANT FAN SWITCH
L	REVISION	CN	DATE	BY	CAD REF.	N/A	MODEL	N/A		PART NO.	SW4075