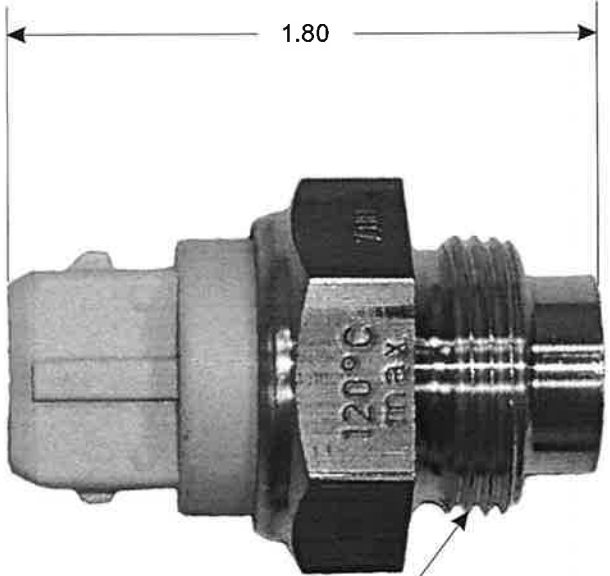
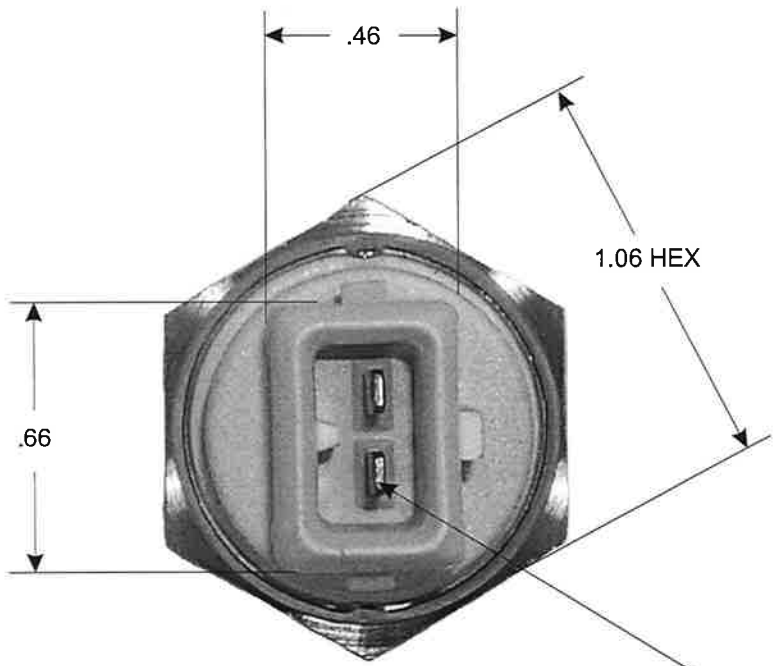


PART NO. **SW3156**

| TOLERANCES UNLESS SPECIFIED |                               |               |
|-----------------------------|-------------------------------|---------------|
| TWO PLACE DECIMALS +/- .015 | THREE PLACE DECIMALS +/- .005 | ANGLES +/- 1° |



2X .11 BLADE TERMINALS

M22 X 1.50 THREADS

REPLACES O.E.M. # 928 606 149 00

|   |                  |       |                   |         |          |          |          |        |  |                    |    |
|---|------------------|-------|-------------------|---------|----------|----------|----------|--------|--|--------------------|----|
|   |                  |       |                   |         | MATERIAL | N/A      | SCALE    | NTS    |  |                    |    |
|   |                  |       |                   |         | FINISH   | N/A      | DATE     | 3-7-02 |  | DWN. BY            | GC |
| A | WAS SU           | 25251 | <del>SW3156</del> | 4-18-02 | GC       |          | ENGINEER | 3-7-02 |  | MAR                |    |
|   | RELEASED DRAWING |       | 24784A            | 3-7-02  | GC       |          | APPROVED | 3-7-02 |  | JSK                |    |
| L | REVISION         |       | CN                | DATE    | BY       | CAD REF. | SW3156   | MODEL  |  |                    |    |
|   |                  |       |                   |         |          |          |          |        | TITLE  | COOLING FAN SWITCH |    |
|   |                  |       |                   |         |          |          |          |        | PART NO.   | SW3156             |    |
|   |                  |       |                   |         |          |          |          |        | PURCH. <input type="checkbox"/> PROD. <input type="checkbox"/> |                    |    |