

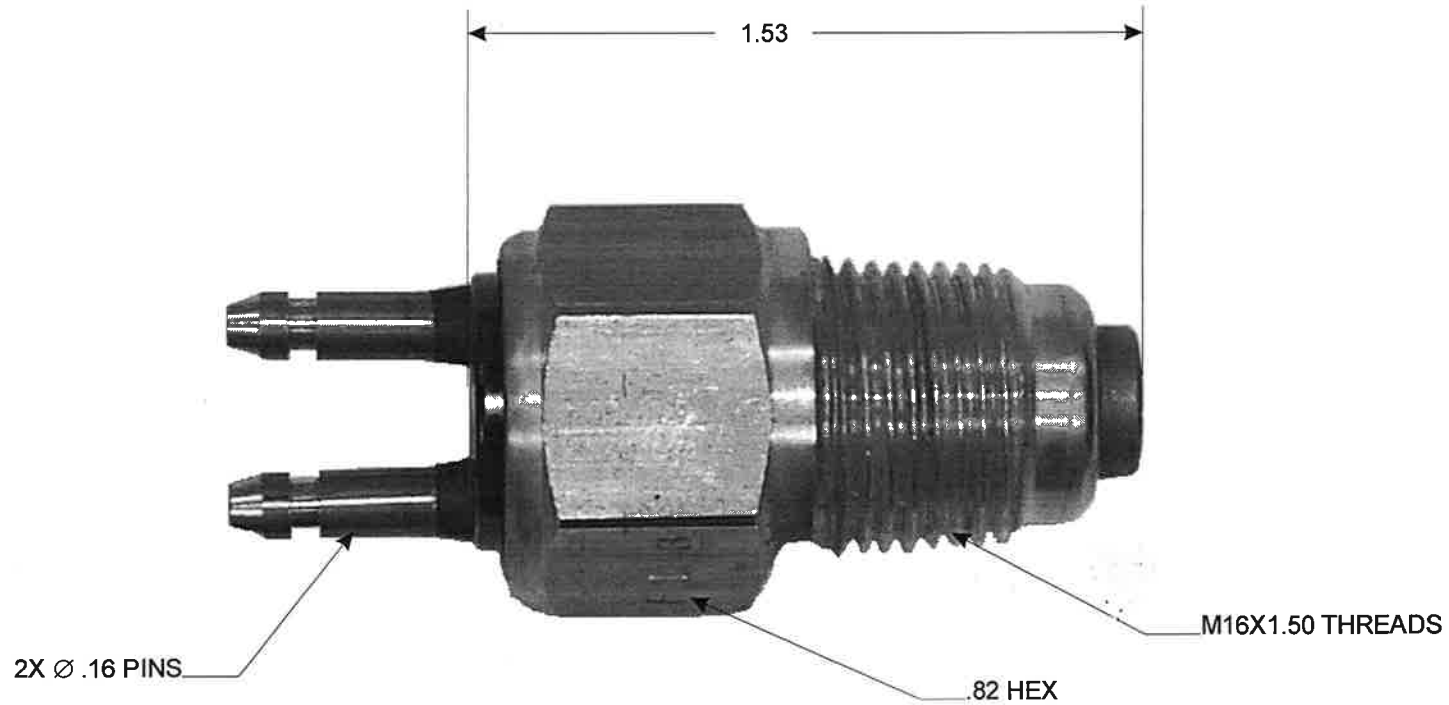
PART NO. SW2883

TOLERANCES UNLESS SPECIFIED

TWO PLACE DECIMALS +/- .015

THREE PLACE DECIMALS +/- .005

ANGLES +/- 1°



STAMPED " 10-OFF "

REPLACES O.E.M. # 1410-18-840

				MATERIAL	N/A	SCALE	NTS	<b>WELLS</b> MANUFACTURING CORP. FOND DU LAC, WISCONSIN		
						DATE	5-1-01		DWN. BY GC	
				FINISH	N/A	ENGINEER	5-1-01	MAR	TITLE	COOLING FAN SWITCH
						APPROVED	5-1-01	JSK	PART NO.	SW2883
RELEASED DRAWING	24207A	5-1-01	GC			PURCH.	<input type="checkbox"/>	PROD.	<input type="checkbox"/>	
L	REVISION	CN	DATE	BY	CAD REF.	MODEL	SW2883			