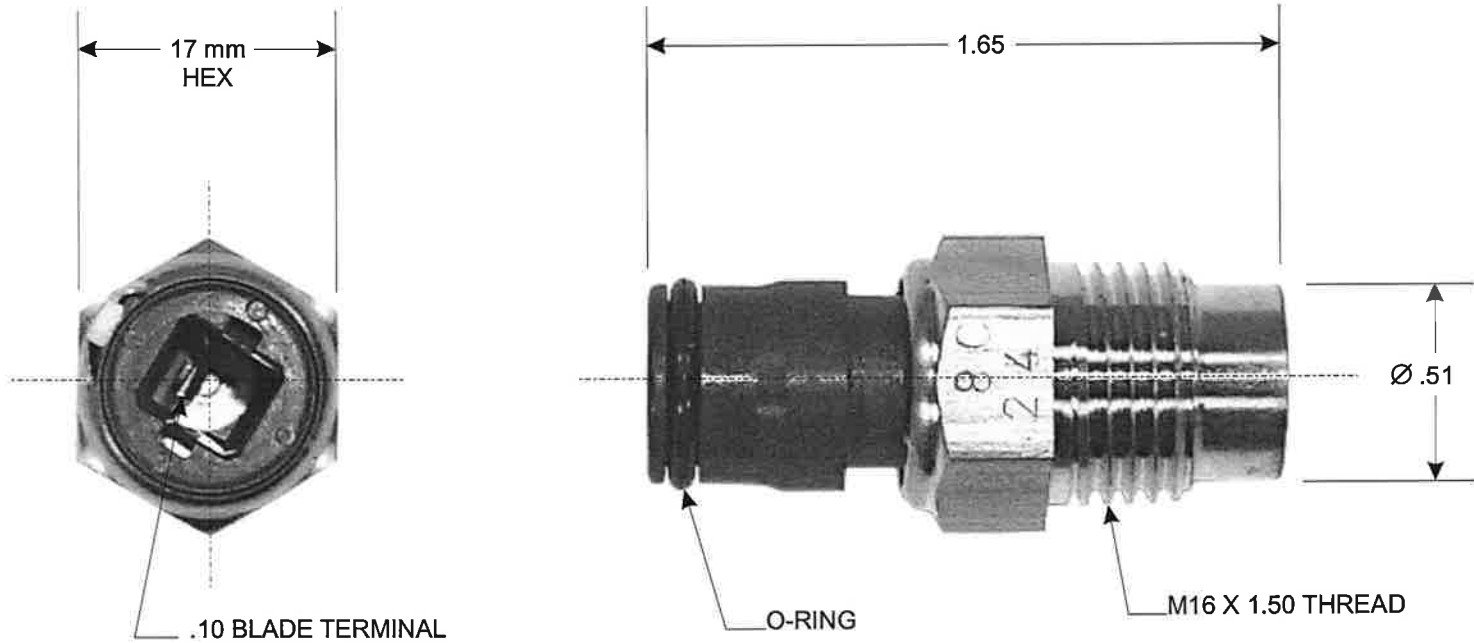


PART NO. SW2164

TOLERANCES UNLESS SPECIFIED		
TWO PLACE DECIMALS +/- .015	THREE PLACE DECIMALS +/- .005	ANGLES +/- 1°



REPLACES O.E.M. # 89428-10110

				MATERIAL	N/A	SCALE	NTS			
						DATE	7-12-02		DWN. BY	KLH
				FINISH	N/A	ENGINEER	7-12-02			DAL
						APPROVED	7-12-02			JSK
	RELEASED DRAWING	25128A	7-12-02	KLH		PURCH.	<input type="checkbox"/>	PROD.	<input type="checkbox"/>	
L	REVISION	CN	DATE	BY	CAD REF.	SW2164	MODEL	TITLE COOLING FAN SWITCH		
								PART NO. SW2164		