

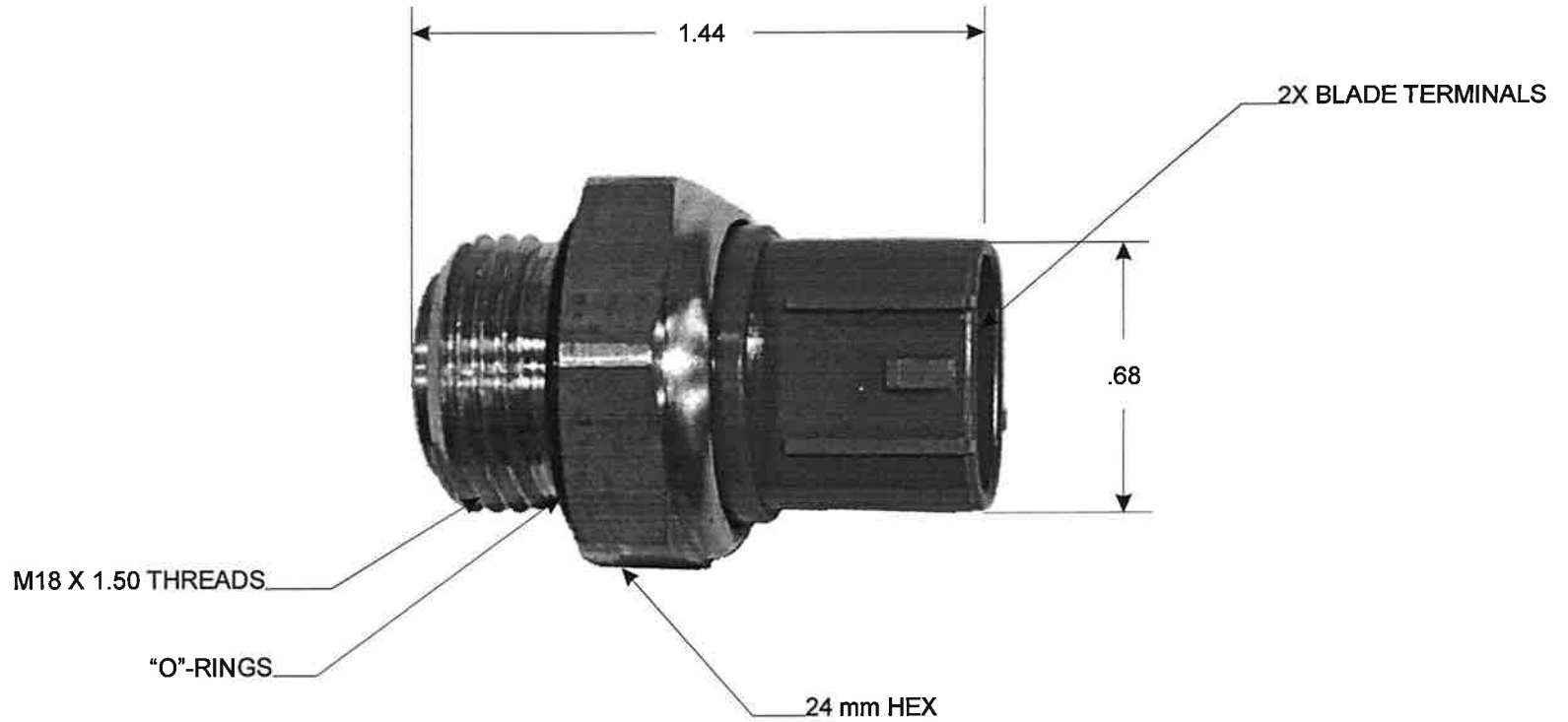
PART NO. SW1888

TOLERANCES UNLESS SPECIFIED

TWO PLACE DECIMALS +/- .015

THREE PLACE DECIMALS +/- .005

ANGLES +/- 1°



CIRCUIT CLOSSES (INCREASING TEMPERATURE)	199.4° F
---	----------

CIRCUIT OPENS (DECREASING TEMPERATURE)	190.4° F
---	----------

REPLACES O.E.M. # 17680-50F00

				MATERIAL	N/A	SCALE	NTS	WELLS MANUFACTURING CORP. FOND DU LAC, WISCONSIN
				FINISH	N/A	DATE	1-5-00	
						ENGINEER	1-5-00	TITLE COOLING FAN SWITCH
						APPROVED	1-5-00	
						PURCH.	<input type="checkbox"/>	PART NO. SW1888
						PROD.	<input type="checkbox"/>	
RELEASED DRAWING	22914A	1-5-00	GC	CAD REF.	SW1888	MODEL		
L	REVISION	CN	DATE	BY				