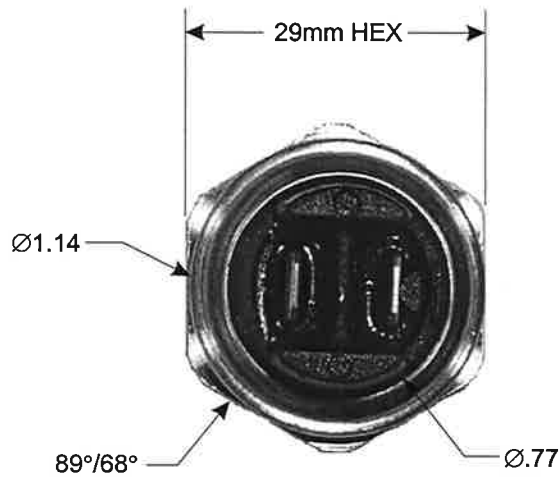
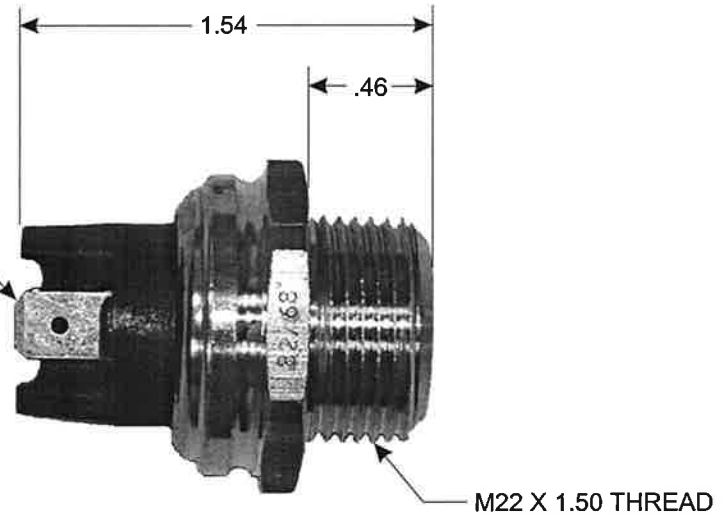


PART NO. SW1825

TOLERANCES UNLESS SPECIFIED
 TWO PLACE DECIMALS +/- .015 THREE PLACE DECIMALS +/- .005 ANGLES +/- 1°



3X .25 BLADE
 TERMINALS



REPLACES O.E. # 0242.12

					MATERIAL	N/A	SCALE	NTS	WELLS MANUFACTURING CORP. FOND DU LAC, WISCONSIN TITLE COOLING FAN SWITCH PART NO. SW1825		
							DATE	9-16-03		DWN. BY	SAM
					FINISH	N/A	ENGINEER	9-16-03			DAL
							APPROVED	9-16-03			JSK
	RELEASED DRAWING	26255A	9-16-03	SAM			PURCH.	<input type="checkbox"/>	PROD.	<input type="checkbox"/>	
L	REVISION	CN	DATE	BY	CAD REF.	N/A	MODEL			N/A	