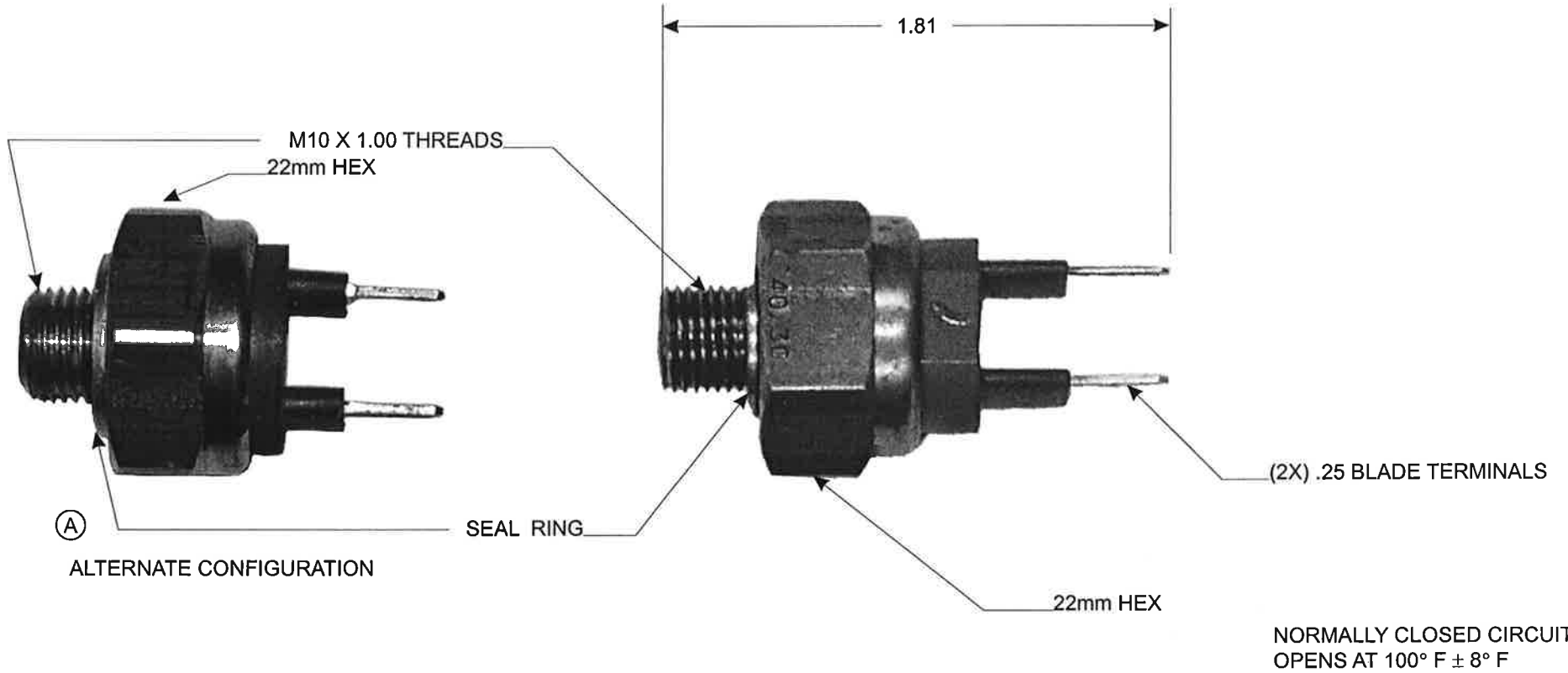


PART NO. SW1637

TOLERANCES UNLESS SPECIFIED  
 TWO PLACE DECIMALS +/- .015      THREE PLACE DECIMALS +/- .005      ANGLES +/- 1°



FREPLACES O.E.M. # 035 919 369B

				MATERIAL	N/A	SCALE	NTS	<b>WELLS</b> MANUFACTURING CORP. FOND DU LAC, WISCONSIN		
						DATE	3-25-99		DWN. BY	GC
				FINISH	N/A	ENGINEER	3-25-99	JS	TITLE	THERMO SWITCH
A	ADDALTERNATE CONFIGURATION	27193	1-27-04	GC		APPROVED	3-25-99	JSK	PART NO.	SW1637
	RELEASED DRAWING	22144A	3-25-99	GC		PURCH.	<input type="checkbox"/>	PROD.	<input type="checkbox"/>	
L	REVISION	CN	DATE	BY	CAD REF.	N/A	MODEL			