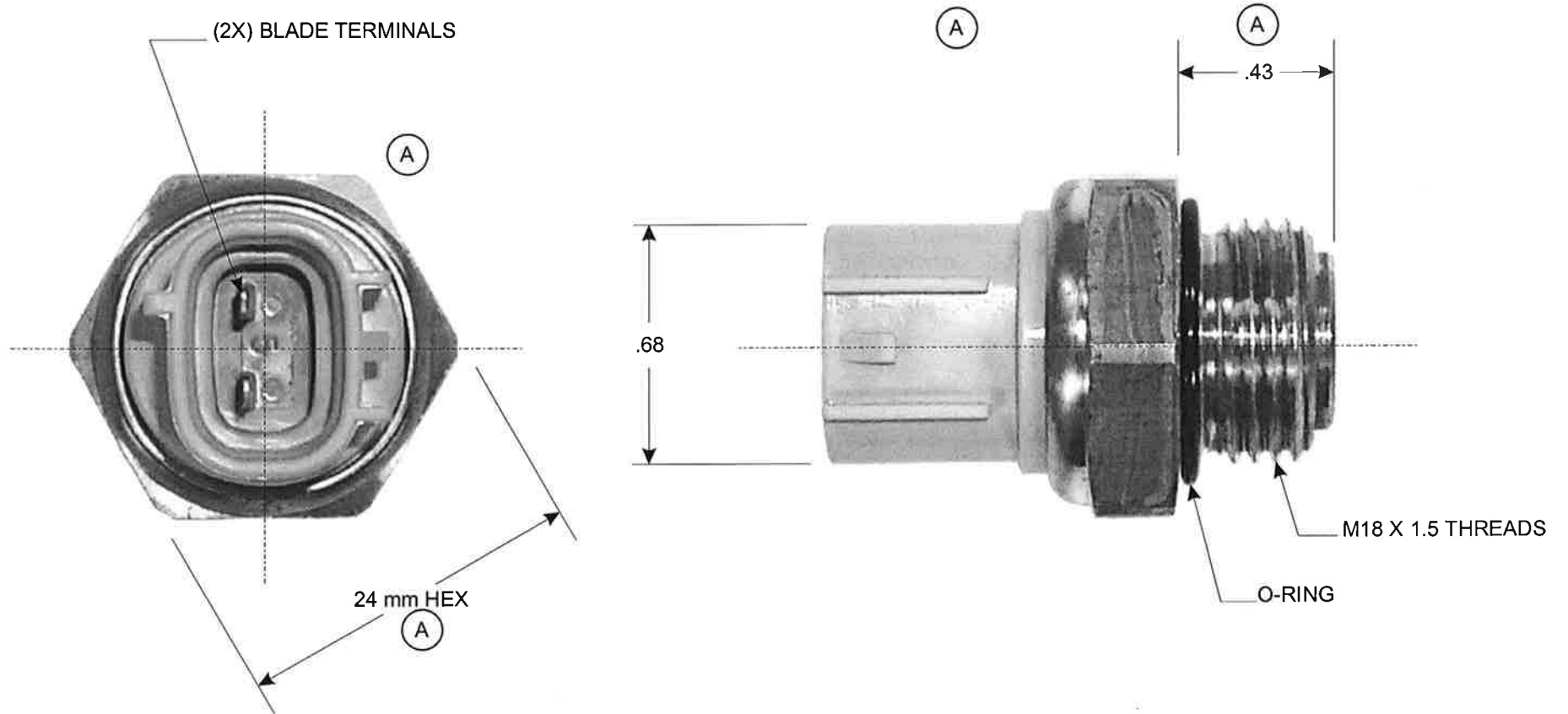


PART NO. SW1636

TOLERANCES UNLESS SPECIFIED
 TWO PLACE DECIMALS +/- .015 THREE PLACE DECIMALS +/- .005 ANGLES +/- 1°



REPLACES O.E.M. # 17680-50F10

				MATERIAL	N/A	SCALE	NTS	WELLS MANUFACTURING CORP. FOND DU LAC, WISCONSIN		
						DATE	2-2-99		DWN. BY GC	
				FINISH	N/A	ENGINEER	2-2-99	DAL	TITLE	COOLING FAN SWITCH
A	ADDED VIEW, .43 DIM.; DELETED 1.44, 1.01 DIMS.; 24mm WAS .94	24858	11-26-01	KLH		APPROVED	2-2-99	JSK	PART NO.	SW1636
	RELEASED DRAWING	22048A	2-2-99	GC		PURCH.	<input type="checkbox"/>	PROD.	<input type="checkbox"/>	
L	REVISION	CN	DATE	BY	CAD REF. SW1636	MODEL				