

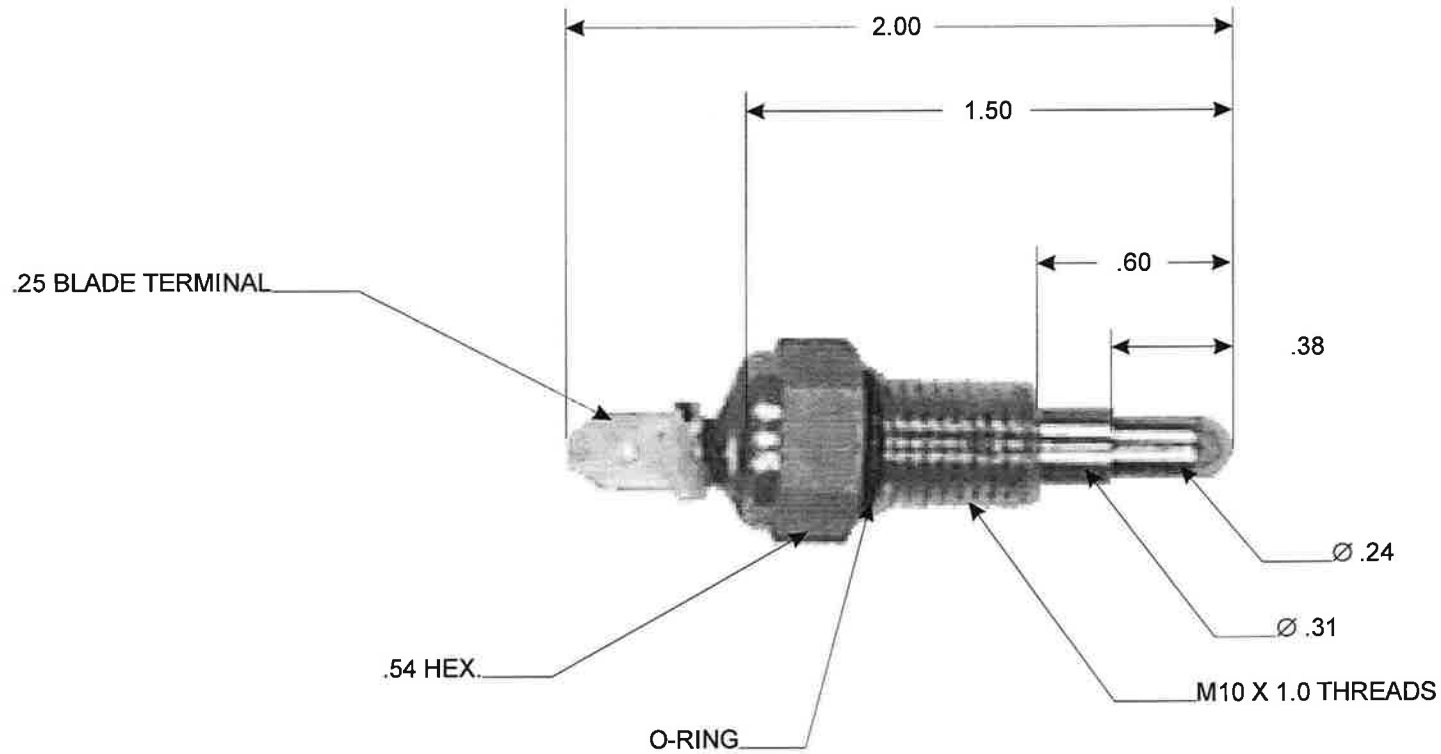
PART NO. **SW1630**

TOLERANCES UNLESS SPECIFIED

TWO PLACE DECIMALS +/- .015

THREE PLACE DECIMALS +/- .005

ANGLES +/- 1°



REPLACES O.E.M. # RF03-18-840

					MATERIAL	SCALE	NTS				
						DATE	2-2-99		DWN. BY	GC	
					FINISH	ENGINEER	2-2-99		DAL	TITLE	COOLING FAN SWITCH
						APPROVED	2-2-99		JSK	PART NO.	SW1630
						PURCH.	<input type="checkbox"/>		PROD.	<input type="checkbox"/>	
L	REVISION	CN	DATE	BY	CAD REF.	SW1630	MODEL				