

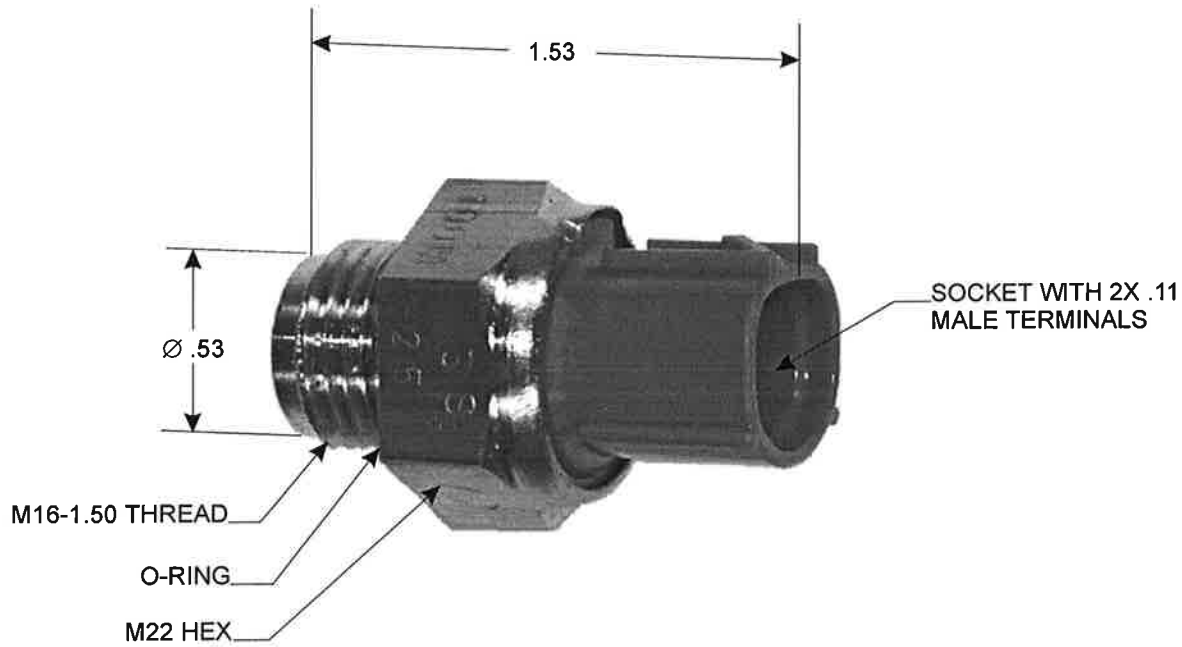
PART NO. SW1438

TOLERANCES UNLESS SPECIFIED

TWO PLACE DECIMALS +/- .015

THREE PLACE DECIMALS +/- .005

ANGLES +/- 1°



OPERATING SPECIFICATIONS

NORMALLY OPEN CIRCUIT
CLOSES AT 215°F ± 8°F

REPLACES O.E.M. # MB890504

				MATERIAL	N/A	SCALE	NTS	WELLS MANUFACTURING CORP. FOND DU LAC, WISCONSIN	
						DATE	5-21-99		DWN. BY
				FINISH	N/A	ENGINEER	5-21-99	MR	TITLE
						APPROVED	5-21-99	JSK	COOLING FAN SWITCH
	RELEASED DRAWING	22178A	5-21-99	DPH		PURCH.	<input type="checkbox"/>	PROD.	<input type="checkbox"/>
L	REVISION	CN	DATE	BY	CAD REF.	MODEL	N/A	PART NO.	SW1438