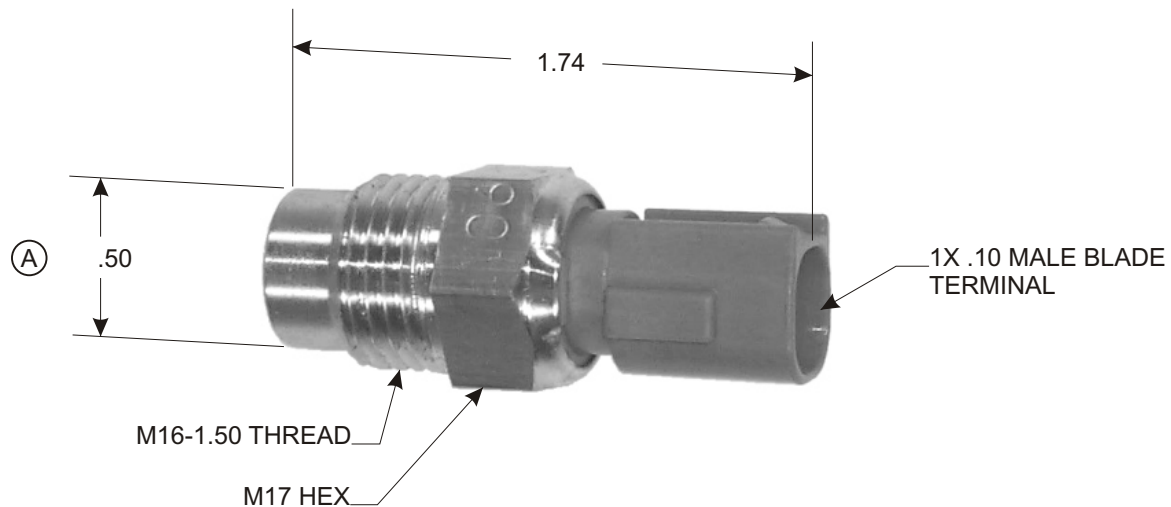


PART NO. SW1436

TOLERANCES UNLESS SPECIFIED		
TWO PLACE DECIMALS +/- .015	THREE PLACE DECIMALS +/- .005	ANGLES +/- 1°



OPERATING SPECIFICATIONS

NORMALLY OPEN CIRCUIT
CLOSES AT 204°F ±8°F

REPLACES O.E.M. # 89428-41010, 89428-30130, SW1437

					MATERIAL	N/A	SCALE	NTS	WELLS MANUFACTURING CORP. FOND DU LAC, WISCONSIN		
					FINISH	N/A	DATE	5-21-99		DWN. BY	DPH
A	WAS 1.74	26430	5-1-03	SAM			ENGINEER	5-21-99	MR	TITLE	COOLING FAN SWITCH
	RELEASED DRAWING	22178A	5-21-99	DPH			APPROVED	5-21-99	JSK	PART NO.	SW1436
L	REVISION	CN	DATE	BY	CAD REF.	SW1436	PURCH.	<input type="checkbox"/>	PROD.	<input type="checkbox"/>	
							MODEL	N/A			