

PART NO.

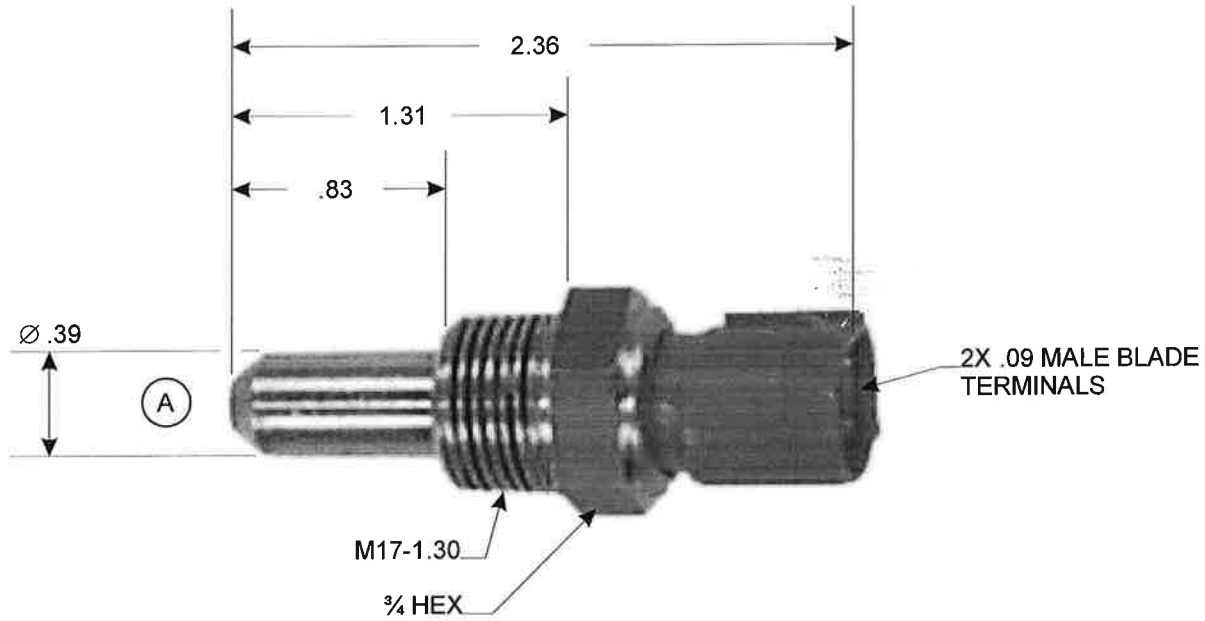
SW1121

TOLERANCES UNLESS SPECIFIED

TWO PLACE DECIMALS +/- .015


THREE PLACE DECIMALS +/- .005

ANGLES +/- 1°



REPLACES O.E.M. # 25360-37250

NOTE:
NORMALLY CLOSED CIRCUIT
OPENS AT 239°F ± 10%

					MATERIAL	N/A	SCALE	UNTS				
					FINISH	N/A	DATE	1-29-98		DWN. BY	DPH	
							ENGINEER	1-29-98		JWS	TITLE	
							APPROVED	1-29-98		JSK	Cooling Fan Switch	
A	REMOVED .24 DIA.	23737	11-10-00	KLH			PURCH.	<input type="checkbox"/>	PROD.	<input type="checkbox"/>	PART NO.	SW1121
	RELEASED	21156A	10-15-97	DPH			MODEL					
L	REVISION	CN	DATE	BY	CAD REF.	SW1121						