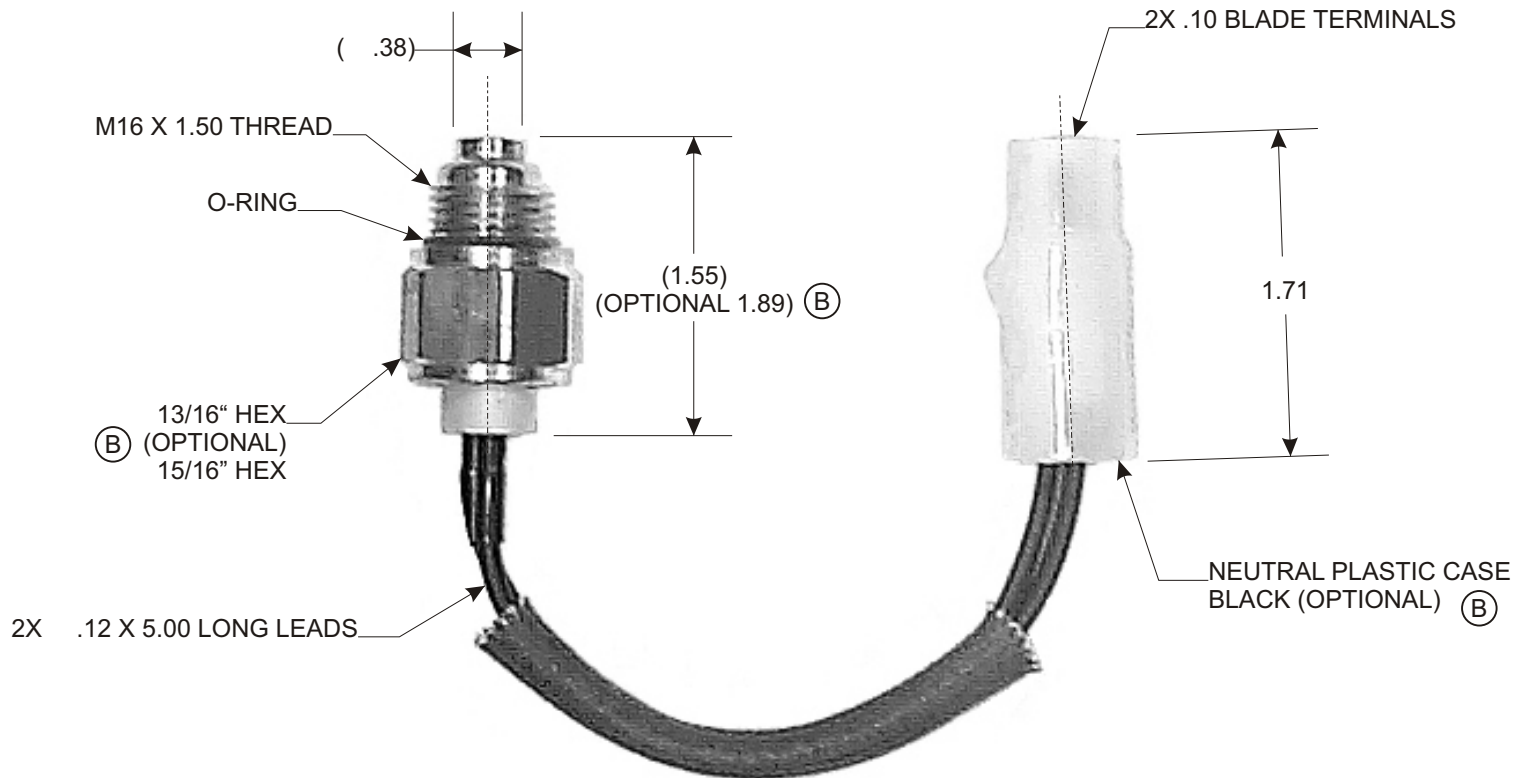


PART NO. SW1010

TOLERANCES UNLESS SPECIFIED		
TWO PLACE DECIMALS +/- .015	THREE PLACE DECIMALS +/- .005	ANGLES +/- 1°



NOTES:  
 (A) 1. NORMALLY CLOSED CIRCUIT,  
 OPENS AT 185°F ±8°F,  
 CLOSES AT 176°F MIN.

REPLACES O.E.M. # 25360-24000

				MATERIAL	N/A	SCALE	NTS	<b>WELLS</b> MANUFACTURING L.P. FOND DU LAC, WISCONSIN	
						DATE	3-25-98		DWN. BY
B	ADDED (OPTIONAL)	31603	9-5-08	SAM		ENGINEER	3-25-98	JS	TITLE
A	WAS ±19°F	22098	1-13-99	DPH	FINISH	APPROVED	3-25-98	JSK	COOLING FAN SWITCH
	RELEASED DRAWING	21402	3-25-98	KLH	N/A	PURCH.	<input type="checkbox"/>	PROD.	<input type="checkbox"/>
L	REVISION	CN	DATE	BY	CAD REF.	MODEL			PART NO.
					SW1010				SW1010