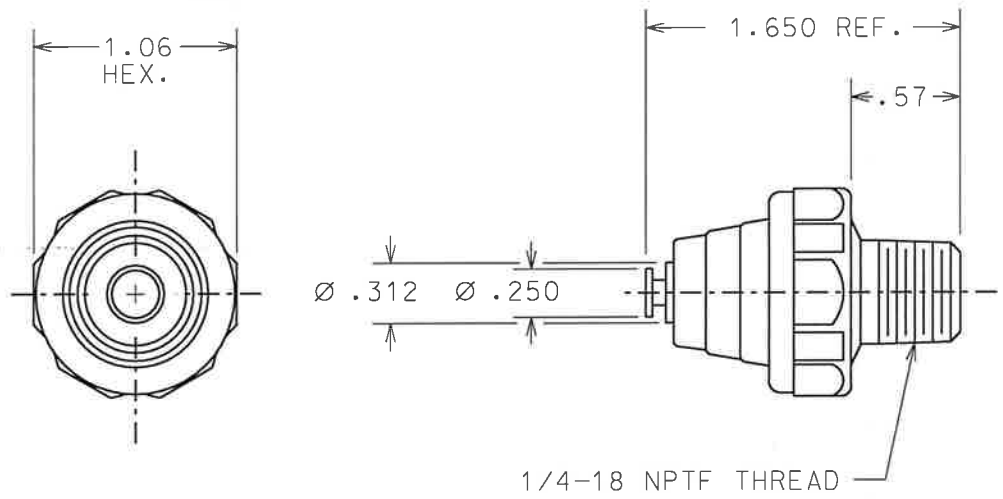


PART NO. PS95

TOLERANCES UNLESS SPECIFIED		
TWO PLACE DECIMALS +/- .015	THREE PLACE DECIMALS +/- .005	ANGLES +/- 1°



PRESSURE SPECIFICATION: 3.5 - 7.5 PSI

NOTES:
1. REFERENCE "ASME Y14.5M-1994".

				MATERIAL	N/A	SCALE	FULL	WELLS MANUFACTURING CORP. FOND DU LAC, WISCONSIN	
				FINISH	N/A	DATE	11-20-00		
						BY	DWN. DWJ	TITLE	
							ENGINEER	11-20-00 JSK	PRESSURE SWITCH
							APPROVED	11-20-00 JSK	
							PURCH.	<input type="checkbox"/> PROD. <input type="checkbox"/>	PART NO.
									PS95
L	REVISION	CN	DATE	BY	CAD REF.	PS95	MODEL		