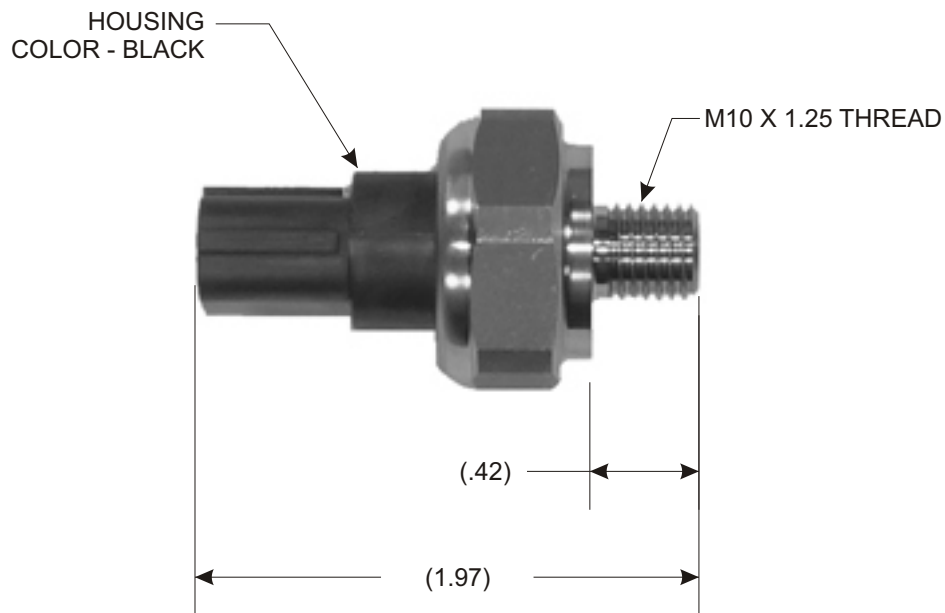
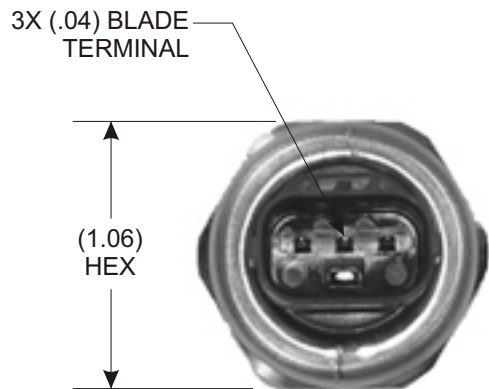


PART NO. PS707

TOLERANCES UNLESS SPECIFIED		
TWO PLACE DECIMALS +/- .015	THREE PLACE DECIMALS +/- .005	ANGLES +/- 1°



REPLACES O.E.M. # N3R1-18-541

				MATERIAL	N/A	SCALE	NTS	WELLS MANUFACTURING L.P. FOND DU LAC, WISCONSIN	
						DATE	2-26-10		DWN. BY
				FINISH	N/A	ENGINEER	2-26-10	DAL	TITLE
						APPROVED	2-26-10	TDS	OIL PRESSURE SWITCH
	RELEASED DRAWING	32503A	2-26-10	SAM		PURCH.	<input type="checkbox"/>	PROD.	<input type="checkbox"/>
L	REVISION	CN	DATE	BY	CAD REF.	MODEL	N/A	PART NO.	PS707