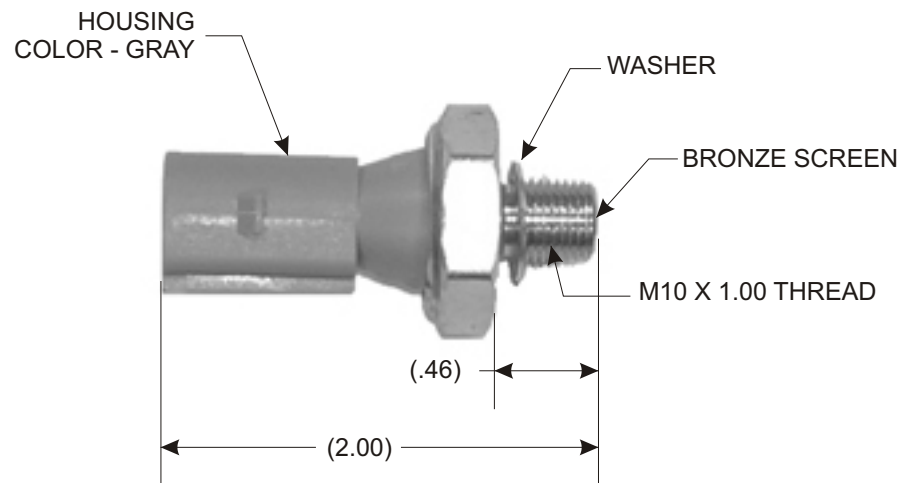
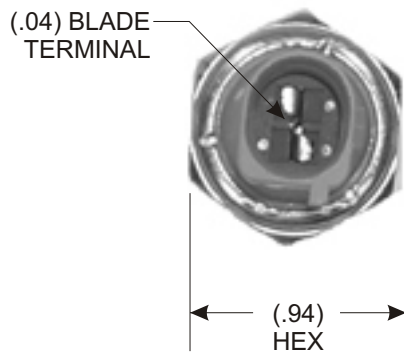



PART NO. PS693

TOLERANCES UNLESS SPECIFIED
 TWO PLACE DECIMALS +/- .015 THREE PLACE DECIMALS +/- .005 ANGLES +/- 1°



REPLACES O.E.M. # 038 919 081 P

TEST SPEC: 0.75 - 1.05 BAR

					MATERIAL	N/A	SCALE	NTS	 WELLS MANUFACTURING L.P. FOND DU LAC, WISCONSIN			
							DATE	2-1-10		DWN. BY	SAM	
					FINISH	N/A	ENGINEER	2-1-10			DAL	
							APPROVED	2-1-10			TDS	
	RELEASED DRAWING	32484A	2-1-10	SAM			PURCH.	<input type="checkbox"/>	PROD.	<input type="checkbox"/>	TITLE	OIL PRESSURE SWITCH
L	REVISION	CN	DATE	BY	CAD REF.	N/A	MODEL	N/A	PART NO. PS693			