

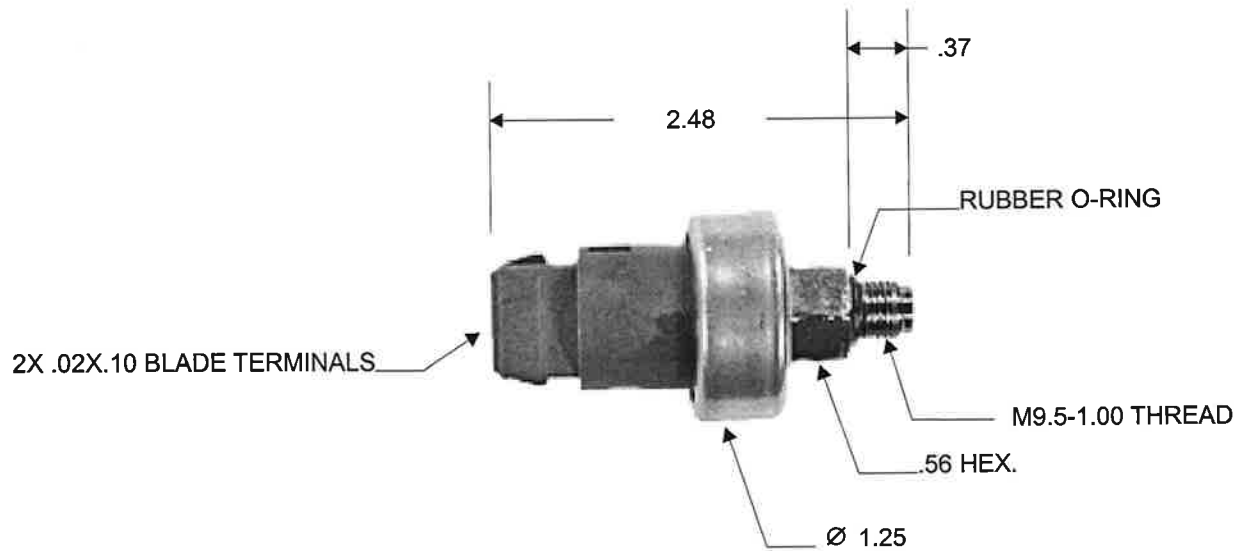
PART NO. PS572

TOLERANCES UNLESS SPECIFIED

TWO PLACE DECIMALS +/- .015

THREE PLACE DECIMALS +/- .005

ANGLES +/- 1°



O.E. SUPPLIED PROTECTIVE BOOT



REPLACES O.E. # XF2Z-3N824- AA

					MATERIAL	N/A	SCALE	NTS	WELLS MANUFACTURING CORP. FOND DU LAC, WISCONSIN TITLE OIL PRESSURE SWITCH			
							DATE	3-22-04		DWN. BY	KFJ	
					FINISH	N/A	ENGINEER	3-22-04		DAL		
							APPROVED	3-22-04		JSK		
	RELEASED DRAWING	27150A	03-22-04	KFJ			PURCH.	<input type="checkbox"/>	PROD.	<input type="checkbox"/>	PART NO.	PS572
L	REVISION	CN	DATE	BY	CAD REF.	N/A	MODEL	N/A				