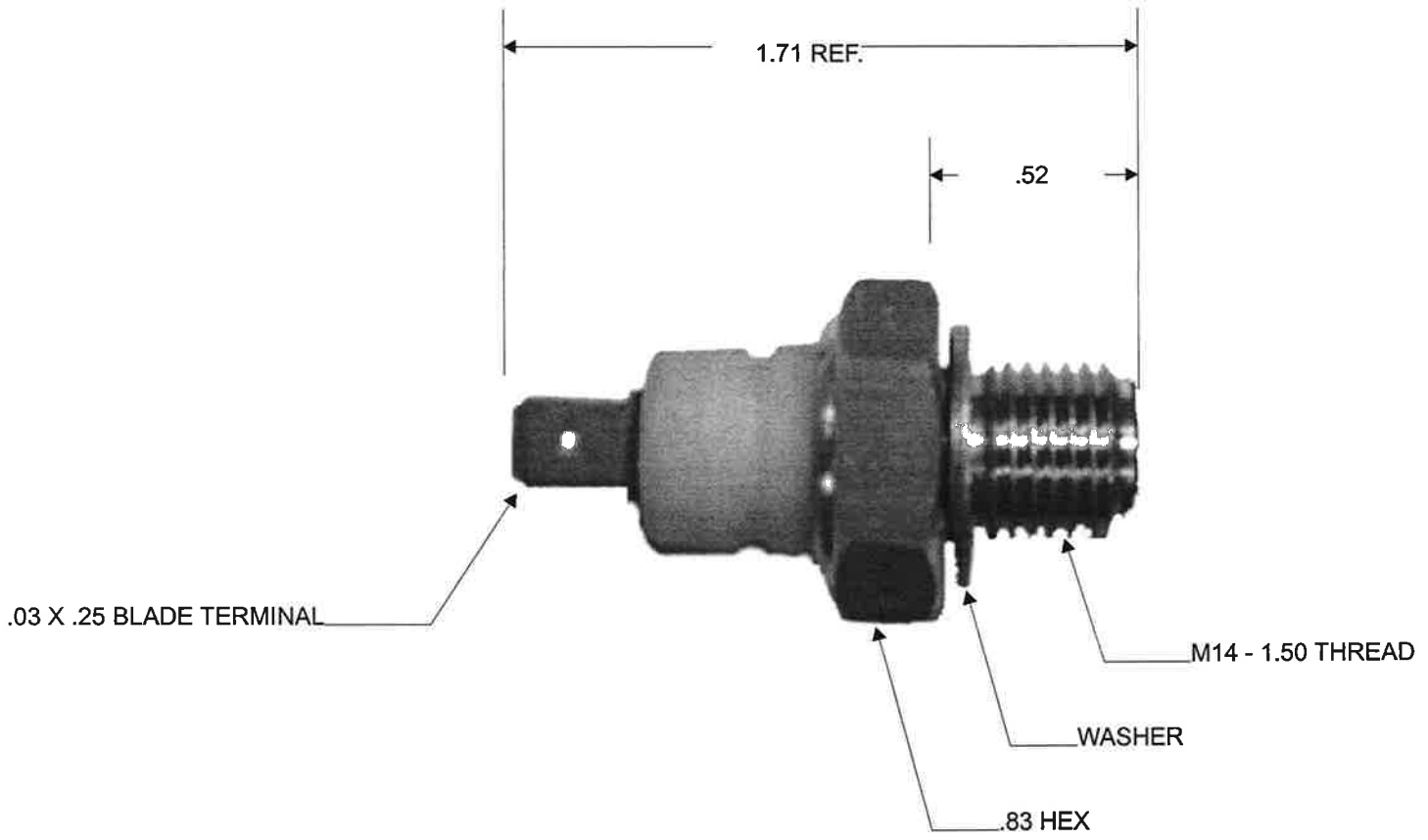


PART NO. PS566

TOLERANCES UNLESS SPECIFIED		
TWO PLACE DECIMALS +/- .015	THREE PLACE DECIMALS +/- .005	ANGLES +/- 1°



REPLACES O.E. # LNA 5642CA

				MATERIAL	N/A	SCALE	NTS						
				FINISH	N/A	DATE	11-24-03		DWN. BY	KFJ			
						ENGINEER	11-24-03		DAL				
				APPROVED	11-24-03	JSK			TITLE	OIL PRESSURE SWITCH			
				RELEASED DRAWING	26786A	11-24-03	KFJ		PURCH.	<input type="checkbox"/>	PROD.	<input type="checkbox"/>	PART NO.
L		REVISION	CN	DATE	BY	CAD REF.	N/A	MODEL	N/A				