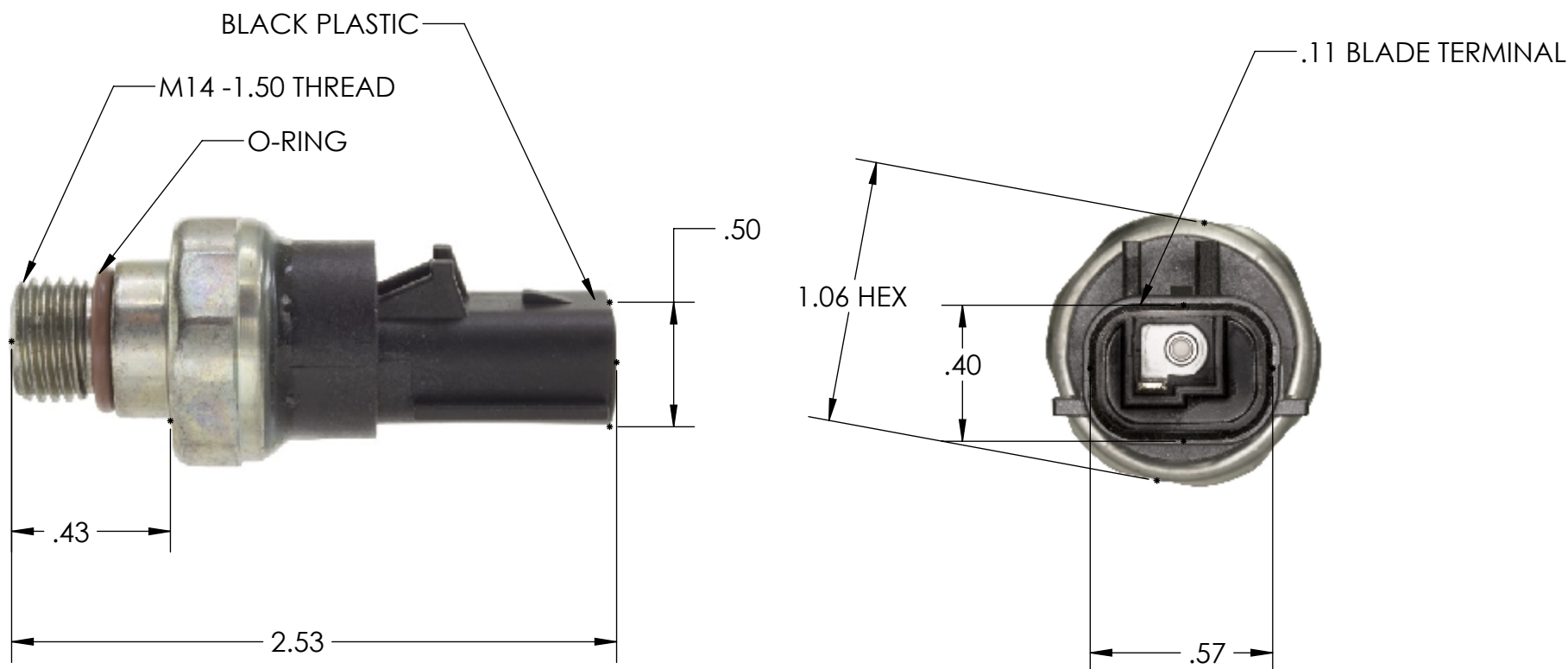


A

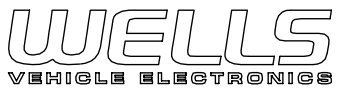
B



NOTE: A
 SWITCH IS NORMALLY CLOSED (NC).
 SWITCH CLOSSES ON DESCENDING PRESSURE 8-5 PSI.

REPLACES OE# 1-05083366AA

ALL DIMENSIONS REFERENCE ONLY

					UNSPECIFIED TOLERANCES ANGLES ± 1° INCHES .XX ± .015" .XXX ± .005" MILLIMETERS .X ± .3mm .XX ± .12mm	DATE 08-21-03	DRAWN SAM	 FOND DU LAC, WISCONSIN
						SCALE 1:1	SHEET 1 OF 1	
A	ADDED NOTE	38567	08-26-14	APS		ENGINEER APPROVED		OIL PRESSURE SWITCH
	RELEASED	26191A	08-21-03	SAM		MATERIAL		
	REVISION	CN	DATE	BY	PURCH. <input type="checkbox"/> PROD. <input type="checkbox"/>	FINISH		PART NO. PS536

A