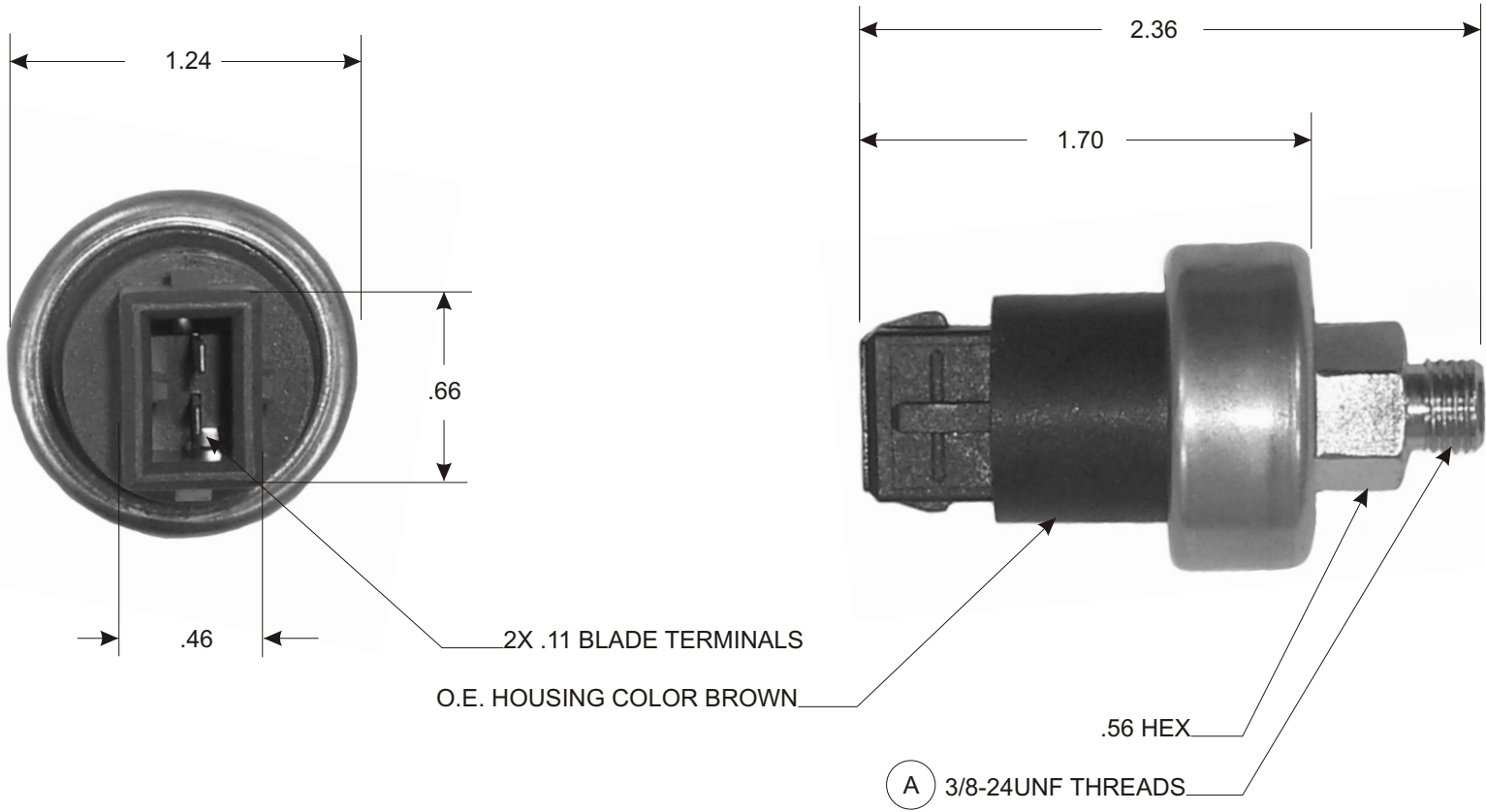


PART NO. PS498

TOLERANCES UNLESS SPECIFIED		
TWO PLACE DECIMALS +/- .015	THREE PLACE DECIMALS +/- .005	ANGLES +/- 1°



REPLACES O.E.M. # F3DC3N824AA, F3DZ-3N824-A

				MATERIAL	N/A	SCALE	NTS	WELLS MANUFACTURING L.P. FOND DU LAC, WISCONSIN		
						DATE	9-12-02		DWN. BY	GC
				FINISH	N/A	ENGINEER	9-12-02	MAR	TITLE	POWER STEERING PRESSURE SWITCH
A	3/8-24UNF THREAD WAS M9 X 1.00 THREAD	30610	6-13-07	RTN		APPROVED	9-12-02	JSK	PART NO.	PS498
	RELEASED DRAWING	25666A	9-12-02	GC		PURCH.	<input type="checkbox"/>	PROD.	<input type="checkbox"/>	
L	REVISION	CN	DATE	BY	CAD REF.	MODEL				