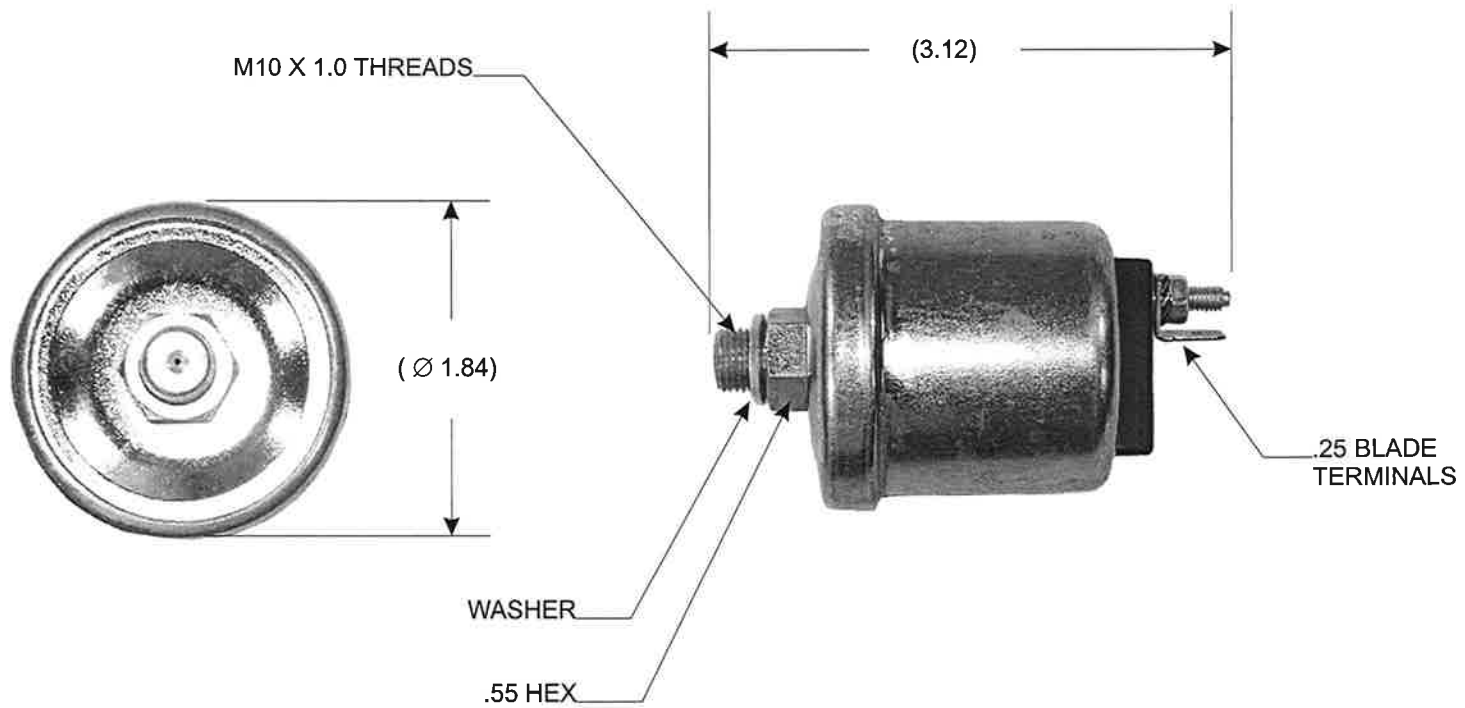


PART NO. PS487

TOLERANCES UNLESS SPECIFIED  
 TWO PLACE DECIMALS +/- .015      THREE PLACE DECIMALS +/- .005      ANGLES +/- 1°



REPLACES O.E.# 049 9191 561

				MATERIAL	N/A	SCALE	NTS				
						DATE	2-9-06		DWN. BY	GC	
						ENGINEER	2-9-06		DAL		
				FINISH	N/A	APPROVED	2-9-06		JSK		
RELEASED DRAWING	29319A	2-9-06	GC			PURCH.	<input type="checkbox"/>	PROD.	<input type="checkbox"/>	TITLE	OIL PRESSURE SWITCH
L	REVISION	CN	DATE	BY	CAD REF.	N/A	MODEL			PART NO.	PS487