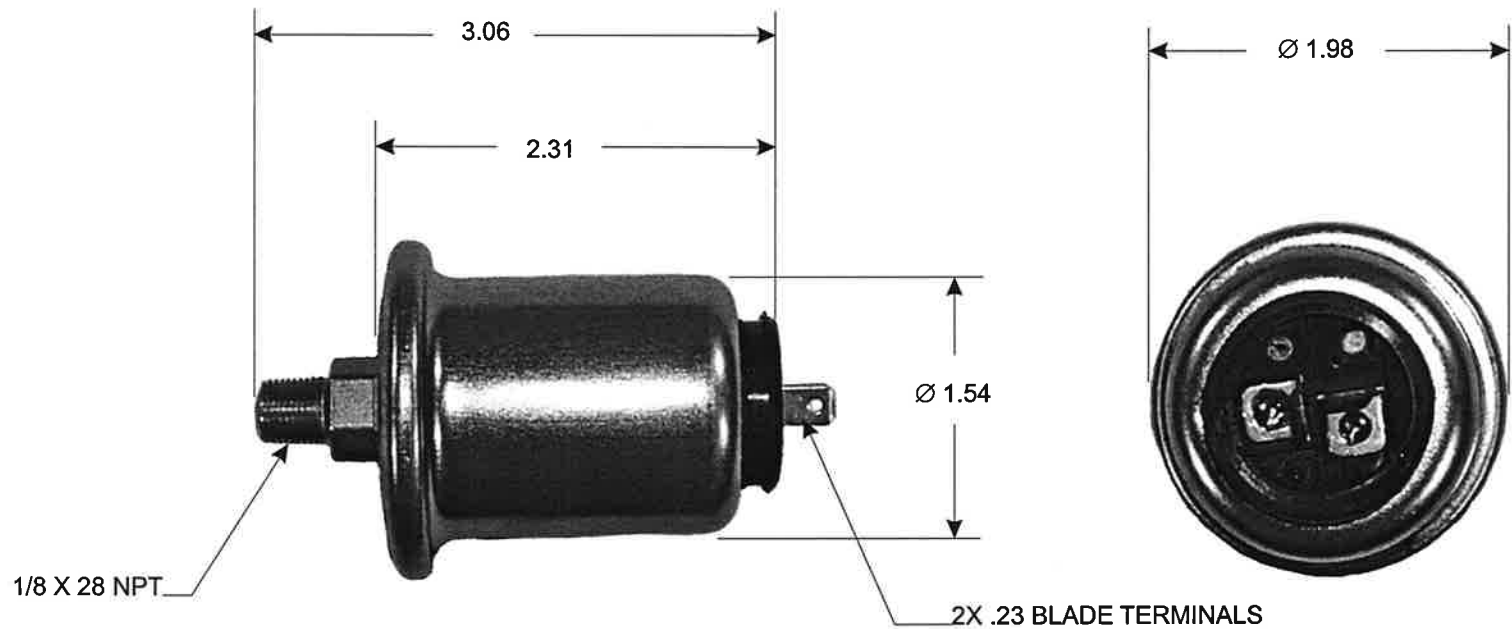


PART NO. PS483

TOLERANCES UNLESS SPECIFIED
 TWO PLACE DECIMALS +/- .015 THREE PLACE DECIMALS +/- .005 ANGLES +/- 1°



REPLACES O.E.M. # 25250-F5000

				MATERIAL	N/A	SCALE	NTS	WELLS MANUFACTURING CORP. FOND DU LAC, WISCONSIN		
						DATE	9-3-03		DWN. BY	GC
				FINISH	N/A	ENGINEER	9-3-03	DAL	TITLE	OIL PRESSURE SWITCH
						APPROVED	9-3-03	JSK	PART NO.	PS483
	RELEASED DRAWING	26628A	9-3-03	GC		PURCH.	<input type="checkbox"/>	PROD.	<input type="checkbox"/>	
L	REVISION	CN	DATE	BY	CAD REF.	MODEL				