

PART NO.

PS46A

TOLERANCES

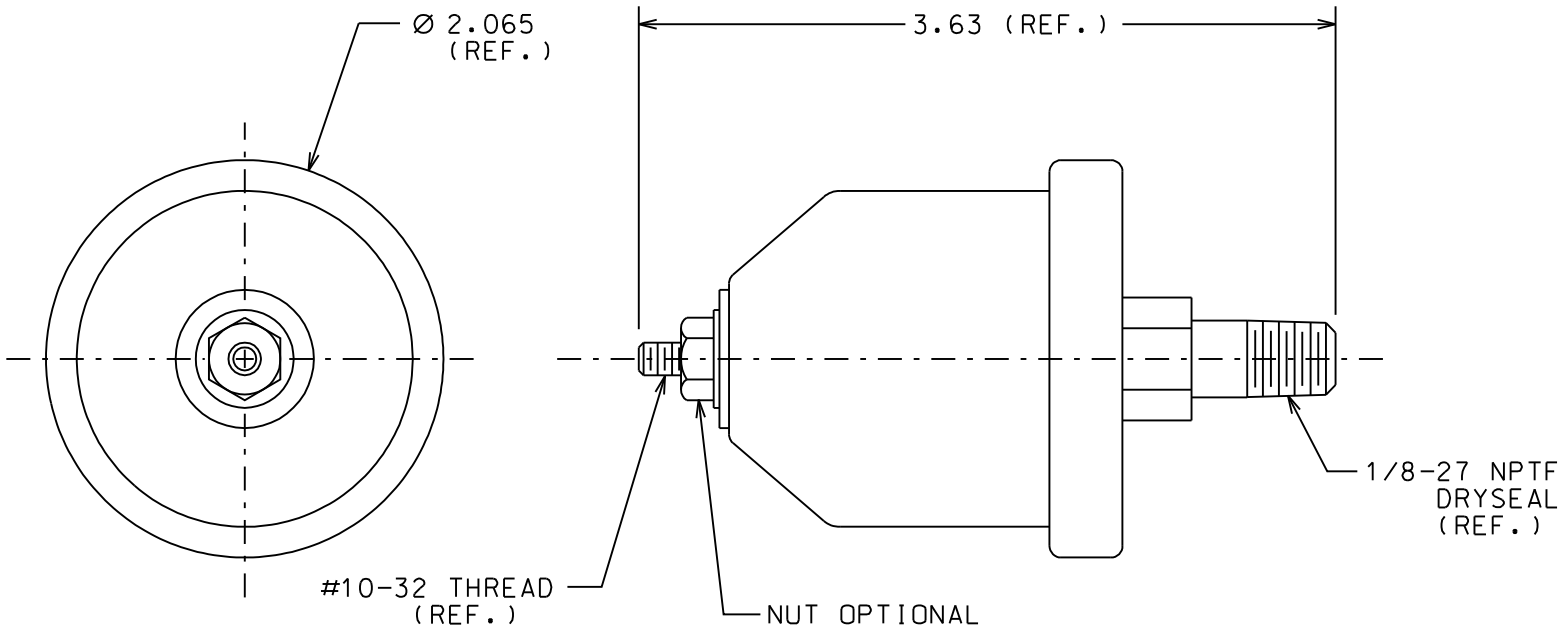
UNLESS

SPECIFIED

TWO PLACE DECIMALS +/- .015

THREE PLACE DECIMALS +/- .005

ANGLES +/- 1°



SPECIFICATIONS

0-4 PSI OPEN CKT.
 4-8 PSI 24-36 OHMS
 90 PSI 8.5-17.5 OHMS

NOTES:

1. REFERENCE "ASME Y14.5M-1994".

REPLACES CHRYSLER # 1972241

					MATERIAL	N/A	SCALE	FULL	WELLS MANUFACTURING L.P. FOND DU LAC, WISCONSIN		
					FINISH	N/A	DATE	1-11-00		DWN. BY	KLH
							ENGINEER	1-11-00	PJS	TITLE	OIL PRESSURE SENDER
							APPROVED	1-11-00	JSK	PART NO.	PS46A
B	REDRAWN	22977	1-11-00	KLH			PURCH.	<input type="checkbox"/>	PROD.	<input type="checkbox"/>	
L	REVISION	CN	DATE	BY	CAD REF.	PS46A	MODEL				