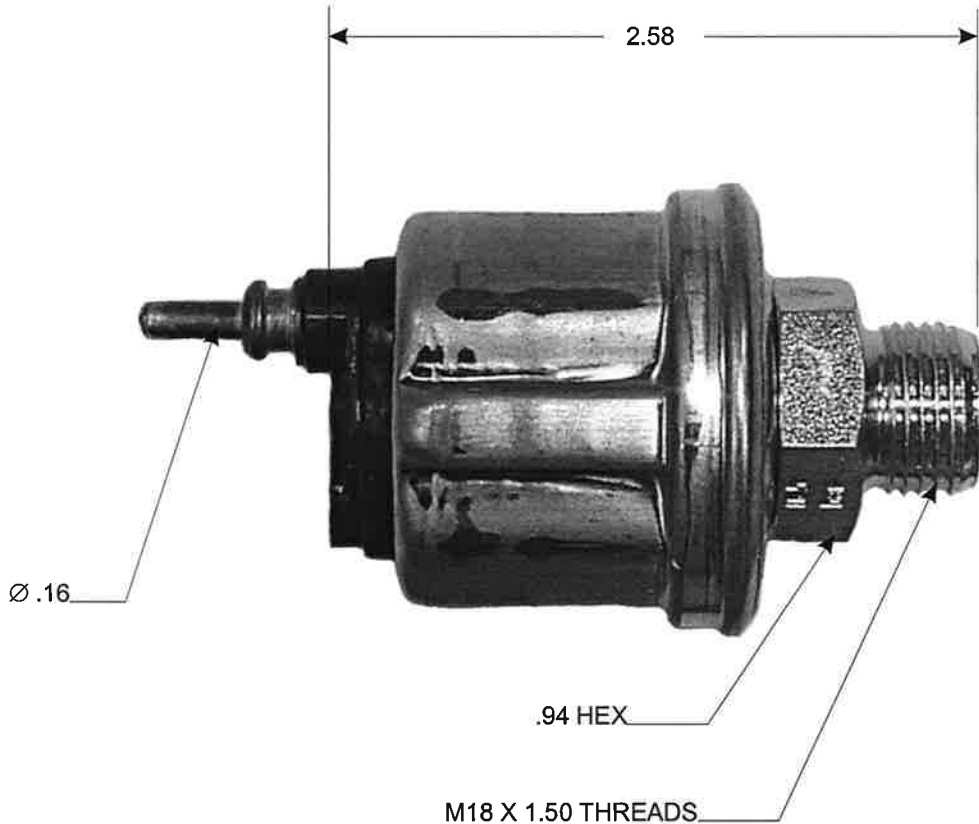
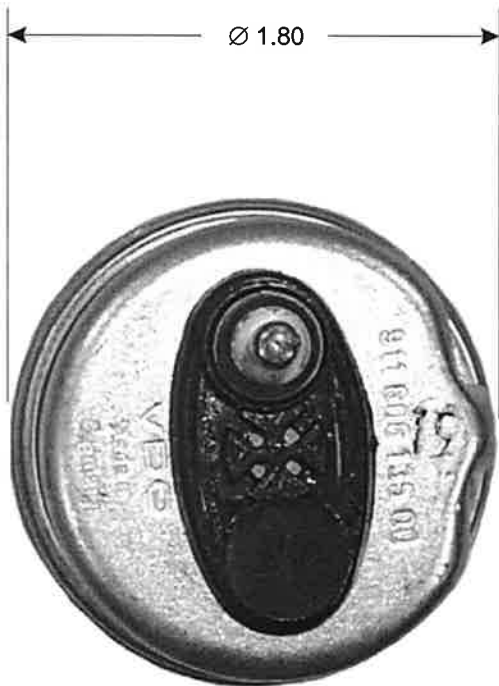


PART NO. PS460

TOLERANCES UNLESS SPECIFIED
 TWO PLACE DECIMALS +/- .015 THREE PLACE DECIMALS +/- .005 ANGLES +/- 1°



0-5 BAR

REPLACES O.E.M. # 911 606 135 00

				MATERIAL	N/A	SCALE	NTS	WELLS MANUFACTURING CORP. FOND DU LAC, WISCONSIN TITLE OIL PRESSURE SWITCH PART NO. PS460
						DATE	3-7-02	
						ENGINEER	3-7-02	
				FINISH	N/A	APPROVED	3-7-02	
						PURCH.	<input type="checkbox"/> PROD. <input type="checkbox"/>	
RELEASED DRAWING	24784A	3-7-02	GC	CAD REF.	PS460	MODEL		
L	REVISION	CN	DATE	BY				