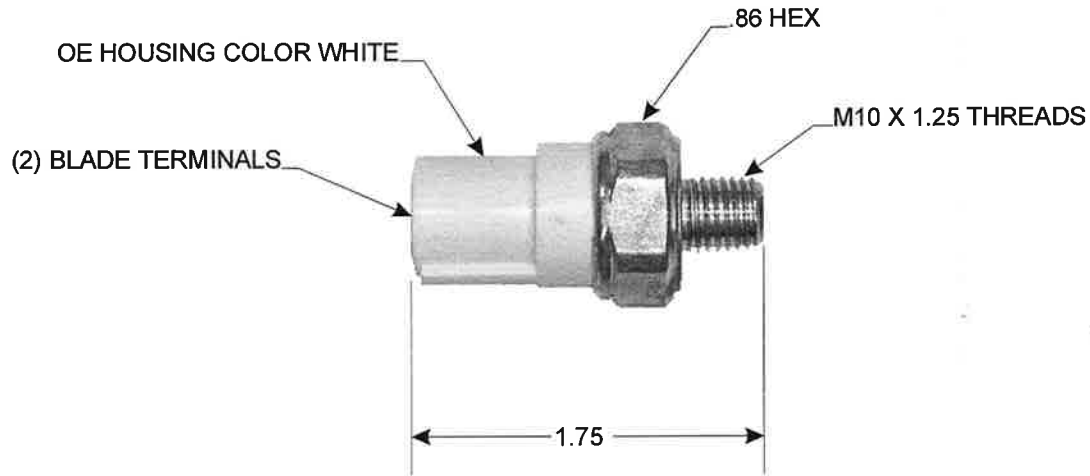


PART NO. PS451

TOLERANCES UNLESS SPECIFIED		
TWO PLACE DECIMALS +/- .015	THREE PLACE DECIMALS +/- .005	ANGLES +/- 1°



NORMALLY CLOSED
 OPENS @ 20 PSI
 CLOSES @ 14 PSI

REPLACES OE # 37250-PHM-003

NOTE: OE INCLUDES PLASTIC THREAD PROTECTOR.

				MATERIAL	N/A	SCALE	NTS	WELLS MANUFACTURING CORP. FOND DU LAC, WISCONSIN		
				FINISH	N/A	DATE	6-5-01		DWN. BY DAB	
						ENGINEER	6-5-01	DAL	TITLE	
						APPROVED	6-5-01	JSK	OIL PRESSURE SWITCH	
	RELEASED DRAWING	24356A	6-5-01	DAB		PURCH.	<input type="checkbox"/>	PROD.	<input type="checkbox"/>	PART NO.
L	REVISION	CN	DATE	BY	CAD REF.	PS451	MODEL	N/A		PS451