

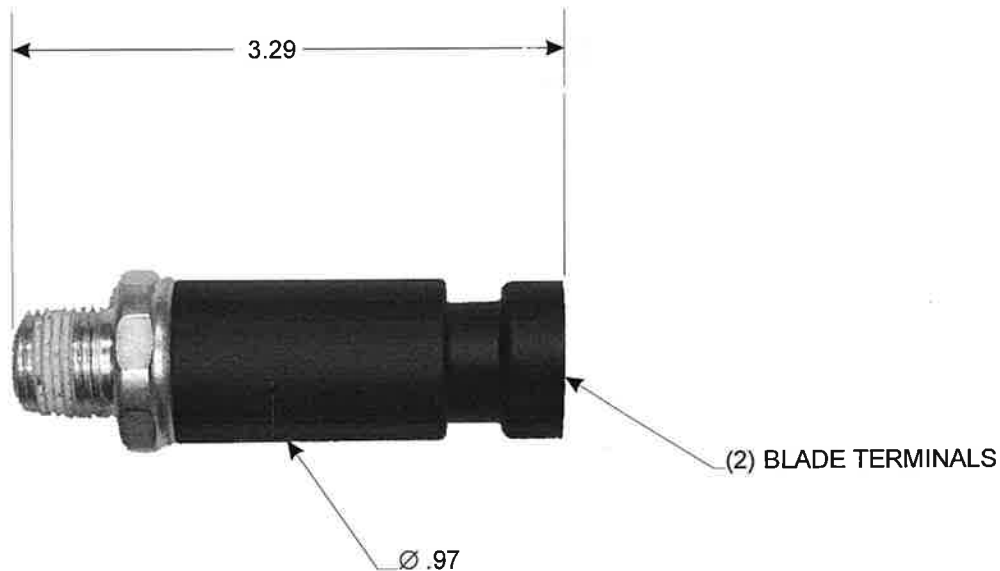
PART NO. PS423

TOLERANCES UNLESS SPECIFIED

TWO PLACE DECIMALS +/- .015

THREE PLACE DECIMALS +/- .005

ANGLES +/- 1°



PRESSURE	RESISTANCE (REF.)
80 PSIG	60 Ω
40 PSIG	40 Ω
0 PSIG	.3 Ω

REPLACES OE # 12562817

				MATERIAL	N/A	SCALE	NTS	WELLS MANUFACTURING CORP. FOND DU LAC, WISCONSIN		
				FINISH	N/A	DATE	1-16-01		DWN. BY	DAB
						ENGINEER	1-16-01	MAR	TITLE	OIL PRESSURE SWITCH
						APPROVED	1-16-01	JSK	PART NO.	PS423
	RELEASED DRAWING	23411A	1-16-01	DAB		PURCH.	<input type="checkbox"/>	PROD.	<input type="checkbox"/>	
L	REVISION	CN	DATE	BY	CAD REF.	PS423	MODEL	N/A		