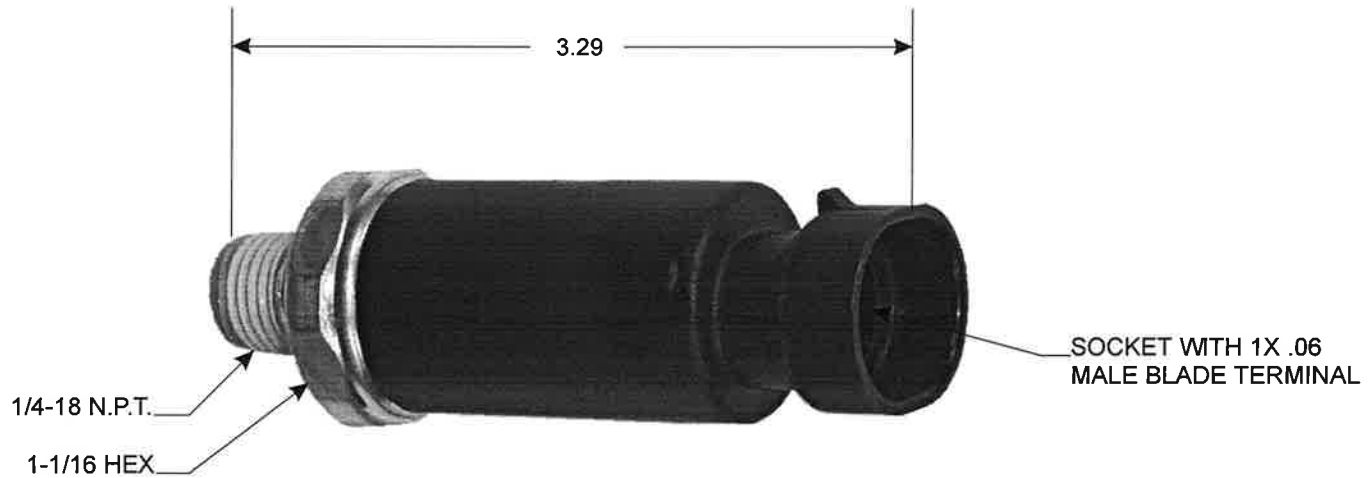


PART NO. PS390

TOLERANCES UNLESS SPECIFIED		
TWO PLACE DECIMALS +/- .015	THREE PLACE DECIMALS +/- .005	ANGLES +/- 1°



REPLACES O.E.M. # D1815A, 12558074

					MATERIAL	N/A	SCALE	NTS	<b>WELLS</b> MANUFACTURING CORP. FOND DU LAC, WISCONSIN		
					FINISH	N/A	DATE	7-22-99		DWN. BY	DPH
							ENGINEER	7-22-99	DAL	TITLE	OIL PRESSURE SWITCH
							APPROVED	7-22-99	JSK	PART NO.	PS390
	RELEASED DRAWING	22420A	7-22-99	DPH			PURCH.	<input type="checkbox"/>	PROD.	<input type="checkbox"/>	
L	REVISION	CN	DATE	BY	CAD REF.	PS390	MODEL	N/A			