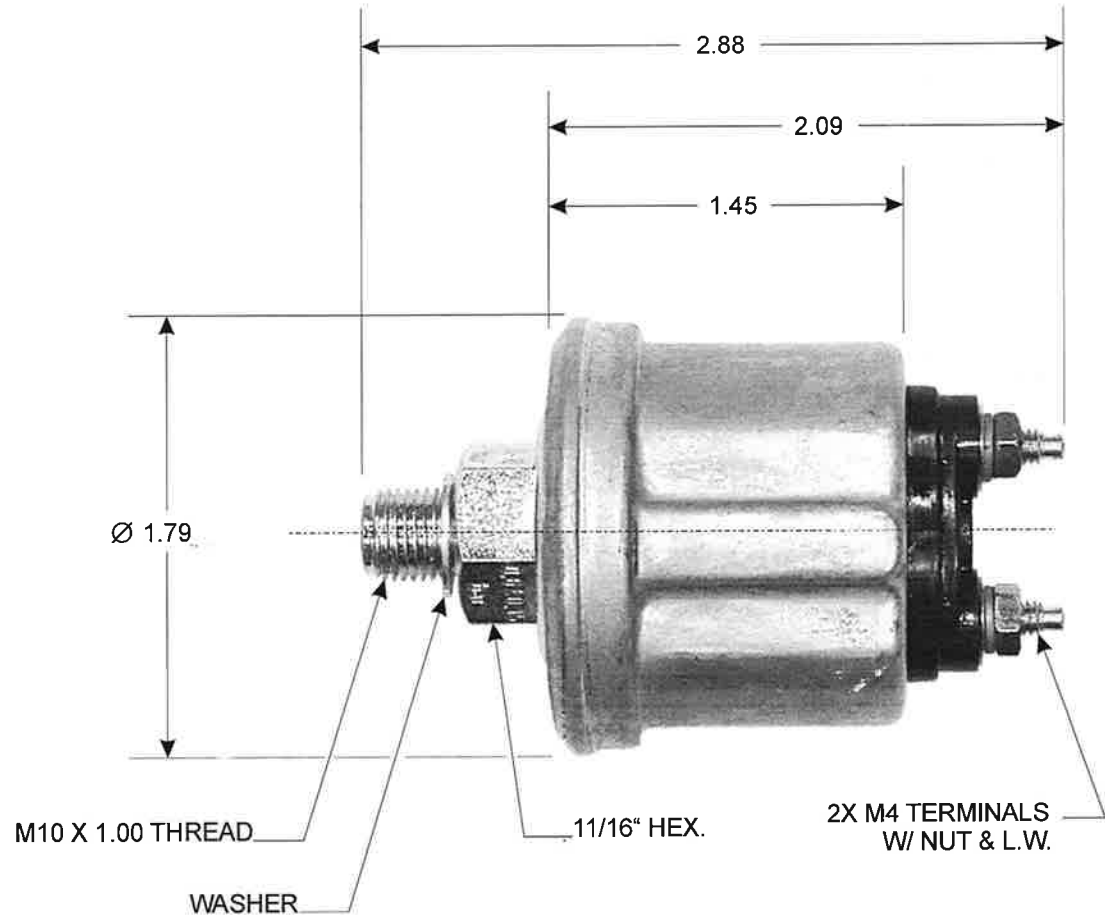


PART NO. PS386

TOLERANCES UNLESS SPECIFIED		
TWO PLACE DECIMALS +/- .015	THREE PLACE DECIMALS +/- .005	ANGLES +/- 1°



REPLACES O.E.M. # 047 919 561

				MATERIAL	N/A	SCALE	NTS	<b>WELLS</b> MANUFACTURING CORP. FOND DU LAC, WISCONSIN	
						DATE	10-31-00		DWN. BY KLH
				FINISH	N/A	ENGINEER	10-31-00	MR	
						APPROVED	10-31-00	JSK	
RELEASED DRAWING	23655A	10-31-00	KLH			PURCH.	<input type="checkbox"/>	PROD.	<input type="checkbox"/>
L	REVISION	CN	DATE	BY	CAD REF.	PS386	MODEL	PART NO.	PS386
TITLE									OIL PRESSURE SWITCH