

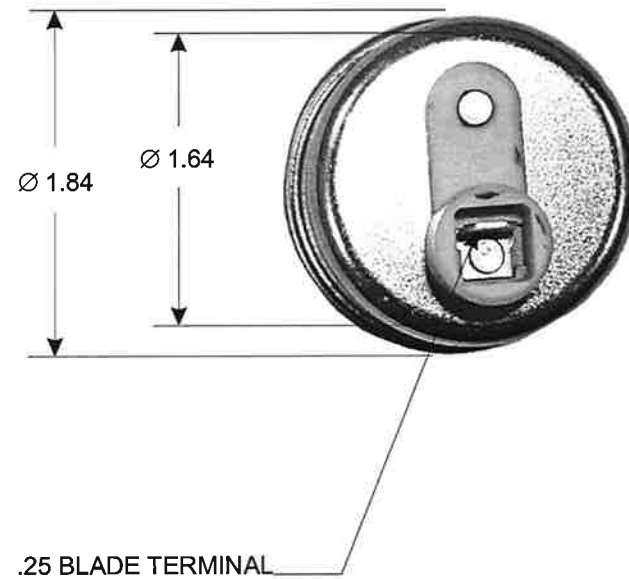
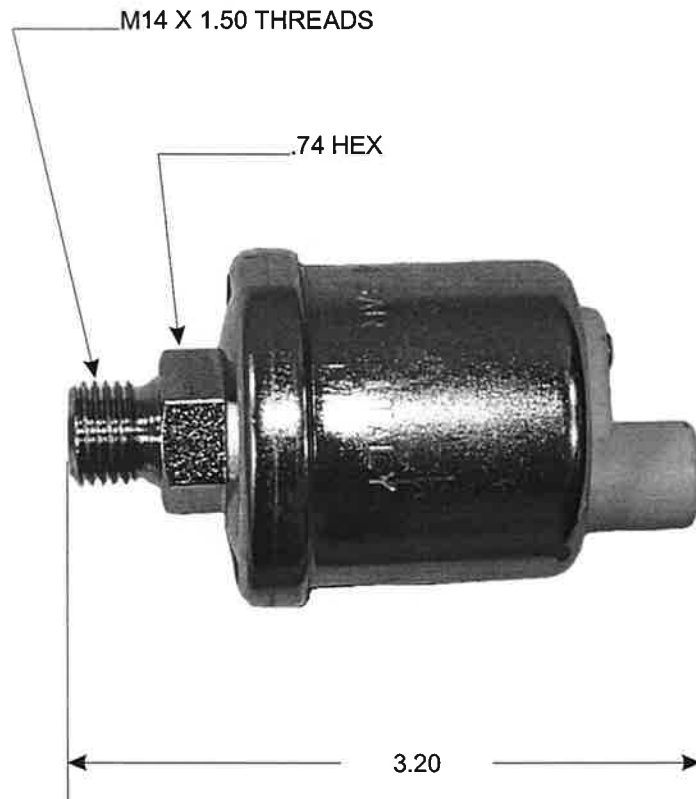
PART NO. PS374

TOLERANCES UNLESS SPECIFIED

TWO PLACE DECIMALS +/- .015

THREE PLACE DECIMALS +/- .005

ANGLES +/- 1°



REPLACES B/W # S4063

					MATERIAL	N/A	SCALE	NTS				
							DATE	4-12-02		DWN. BY	GC	
					FINISH	N/A	ENGINEER	4-12-02		DAL		
							APPROVED	4-12-02		JSK		
	RELEASED DRAWING	25067A	4-12-02	GC			PURCH.	<input type="checkbox"/>	PROD.	<input type="checkbox"/>	TITLE	OIL PRESSURE SENDER
L	REVISION	CN	DATE	BY	CAD REF.	PS374	MODEL				PART NO.	PS374