

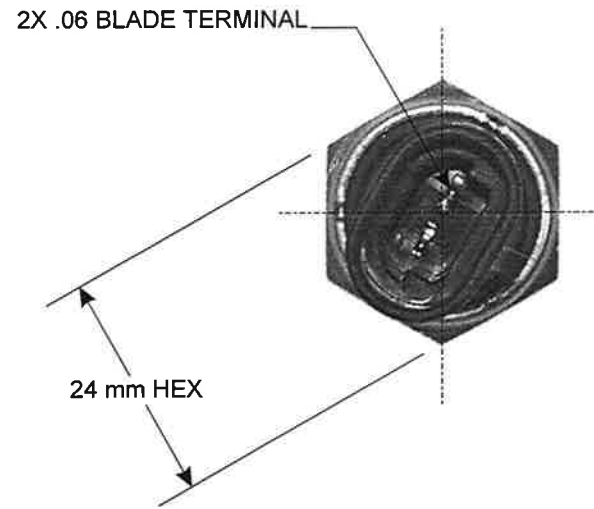
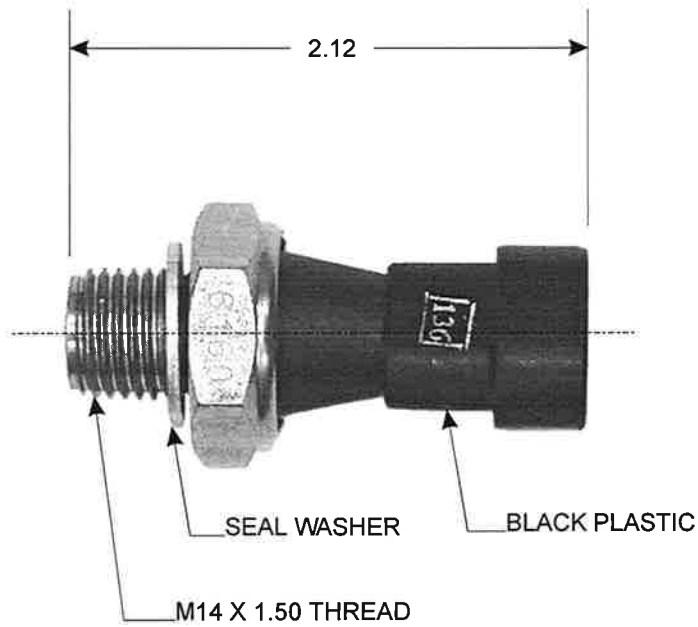
PART NO. PS347

TOLERANCES UNLESS SPECIFIED

TWO PLACE DECIMALS +/- .015

THREE PLACE DECIMALS +/- .005

ANGLES +/- 1°



NORMALLY CLOSED SWITCH  
OPENS AT 3 - 7 PSI.

REPLACES O.E.M. # 21022018

					MATERIAL	N/A	SCALE	NTS	<b>WELLS</b> MANUFACTURING CORP. FOND DU LAC, WISCONSIN		
					FINISH	N/A	DATE	7-9-99		DWN. BY	KLH
							ENGINEER	7-9-99	JS	TITLE	OIL PRESSURE SWITCH
							APPROVED	7-9-99	JSK	PART NO.	PS347
	RELEASED DRAWING	22314A	7-9-99	KLH			PURCH.	<input type="checkbox"/>	PROD.	<input type="checkbox"/>	
L	REVISION	CN	DATE	BY	CAD REF.	PS347	MODEL				