

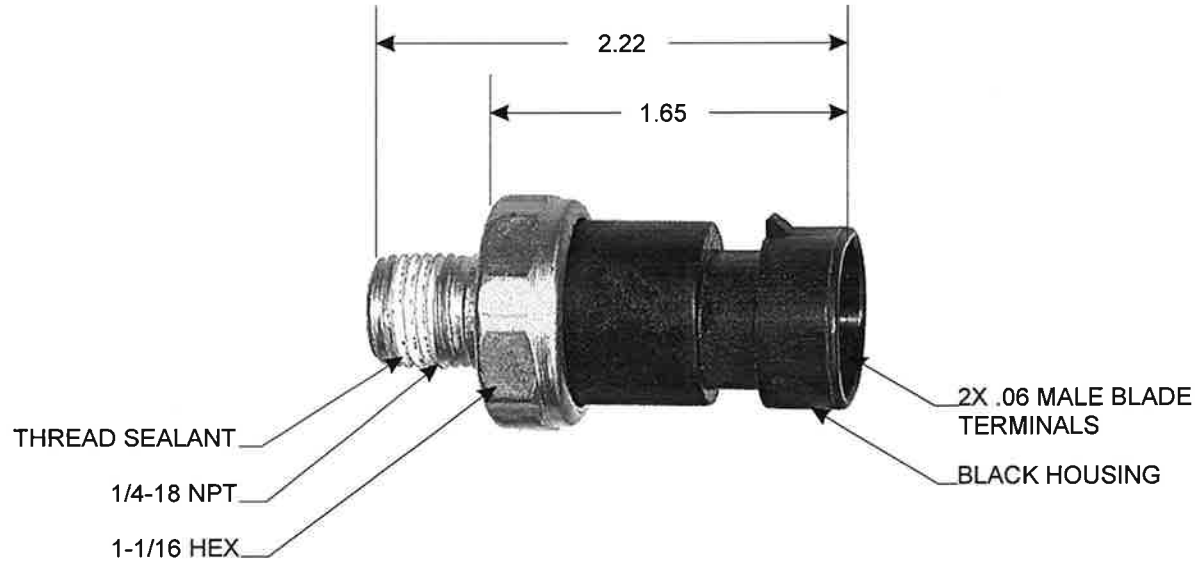
PART NO. PS345

TOLERANCES UNLESS SPECIFIED

TWO PLACE DECIMALS +/- .015

THREE PLACE DECIMALS +/- .005

ANGLES +/- 1°



OPERATING SPECIFICATIONS

NORMALLY CLOSED CIRCUIT  
OPENS AT 2-6 P.S.I.

REPLACES O.E.M. # 24505975, D1805A

					MATERIAL	SCALE	NTS	<b>WELLS</b> MANUFACTURING CORP. FOND DU LAC, WISCONSIN		
						DATE	8-19-98		DWN. BY	DPH
					FINISH	ENGINEER	8-19-98	JS	TITLE	OIL PRESSURE SWITCH
						APPROVED	8-19-98	JSK	PART NO.	PS345
	RELEASED DRAWING	21510A	5-7-98	DPH		PURCH.	<input type="checkbox"/>	PROD.	<input type="checkbox"/>	
L	REVISION	CN	DATE	BY	CAD REF.	PS345	MODEL			