

PART NO.

PS315

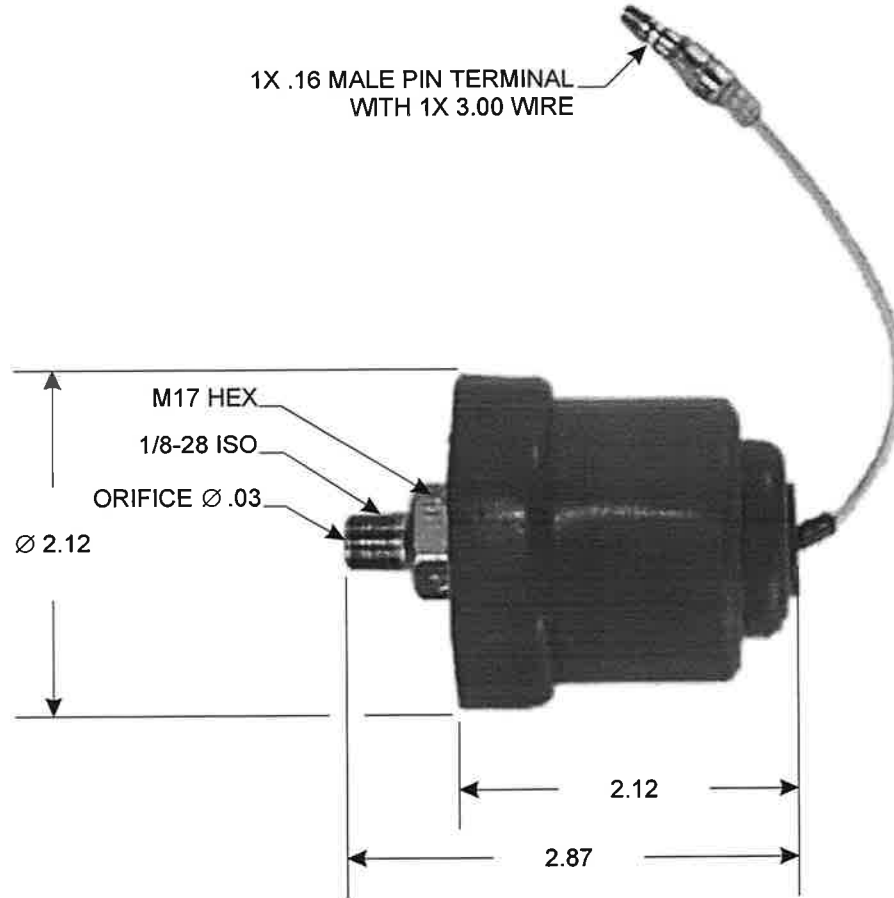
TOLERANCES UNLESS SPECIFIED

TWO PLACE DECIMALS +/- .015

THREE PLACE DECIMALS +/- .005

ANGLES +/- 1°

1X .16 MALE PIN TERMINAL
WITH 1X 3.00 WIRE



PRESSURE (PSI)	RESISTANCE (OHMS)
0-3	OPEN CIRCUIT
10	92-68
20	80-59
40	77-57
60	69-51
80	57-42

REPLACES O.E.M. # 8-97031-866-0

					MATERIAL	SCALE	NTS	WELLS MANUFACTURING CORP. FOND DU LAC, WISCONSIN TITLE OIL PRESSURE SWITCH PART NO. PS315		
					FINISH	DATE	1-13-98		DWN. BY	DPH
						ENGINEER	1-13-98		JWS	
						APPROVED	1-13-98		JSK	
						PURCH.	<input type="checkbox"/>		PROD.	<input type="checkbox"/>
RELEASED		21090	10-14-97	DPH		CAD REF.	PS315	MODEL		
L	REVISION	CN	DATE	BY						