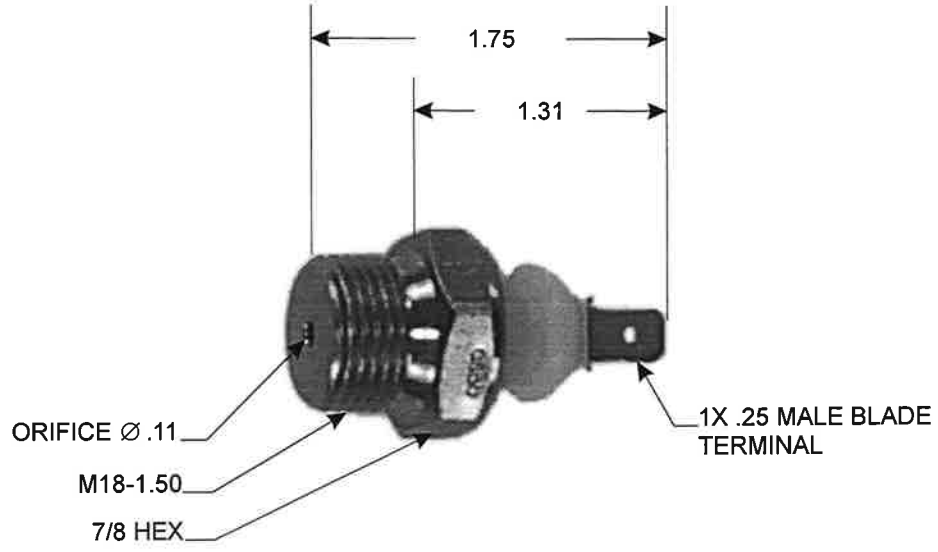


PART NO. PS308

TOLERANCES UNLESS SPECIFIED		
TWO PLACE DECIMALS +/- .015	THREE PLACE DECIMALS +/- .005	ANGLES +/- 1°



REPLACES O.E.M. # 1218360-4

OPERATING SPECIFICATIONS

NORMALLY CLOSED CIRCUIT  
OPENS AT 25-34 P.S.I.

					MATERIAL	SCALE	NTS	<b>WELLS</b> MANUFACTURING CORP. FOND DU LAC, WISCONSIN		
						DATE	1-13-98		DWN. BY DPH	
					FINISH	ENGINEER	1-13-98	JWS	TITLE	
						APPROVED	1-13-98	JSK	OIL PRESSURE SWITCH	
	RELEASED	21090	10-14-97	DPH		PURCH.	<input type="checkbox"/>	PROD.	<input type="checkbox"/>	PART NO.
L	REVISION	CN	DATE	BY	CAD REF.	MODEL				PS308