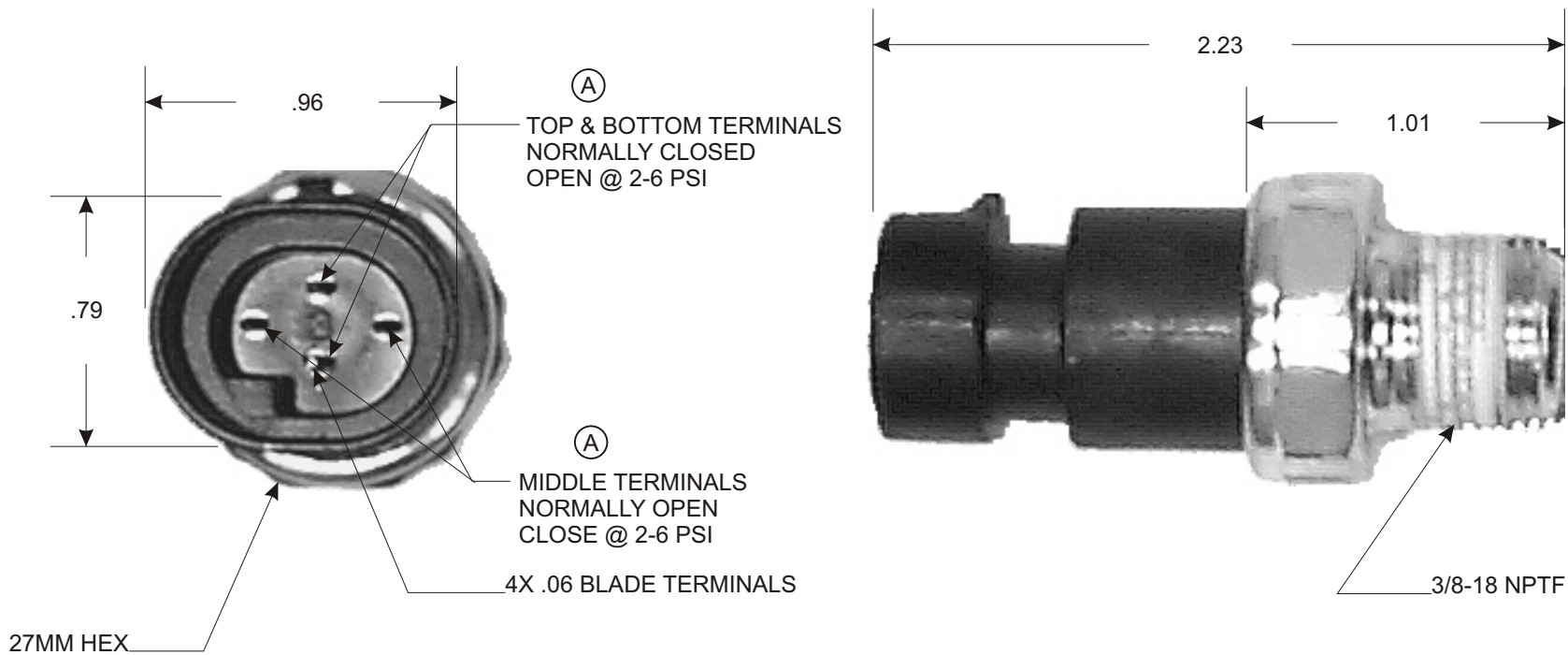


PART NO. PS267

TOLERANCES UNLESS SPECIFIED		
TWO PLACE DECIMALS +/- .015	THREE PLACE DECIMALS +/- .005	ANGLES +/- 1°



REPLACES O.E. #3546924 (D1804A)

					MATERIAL	N/A	SCALE	NTS	WELLS MANUFACTURING L.P. FOND DU LAC, WISCONSIN	
							DATE	4-21-97		DWN. BY
					FINISH	N/A	ENGINEER	4-21-97	BBB	TITLE
A	ADDED CIRCUITS	30133	12-5-06	SAM			APPROVED	4-21-97	JSK	OIL PRESSURE SWITCH
	RELEASED	20460A	1-7-97	CJM			PURCH.	<input type="checkbox"/>	PROD.	<input type="checkbox"/>
L	REVISION	CN	DATE	BY	CAD REF.	N/A	MODEL	N/A	PART NO.	PS267