

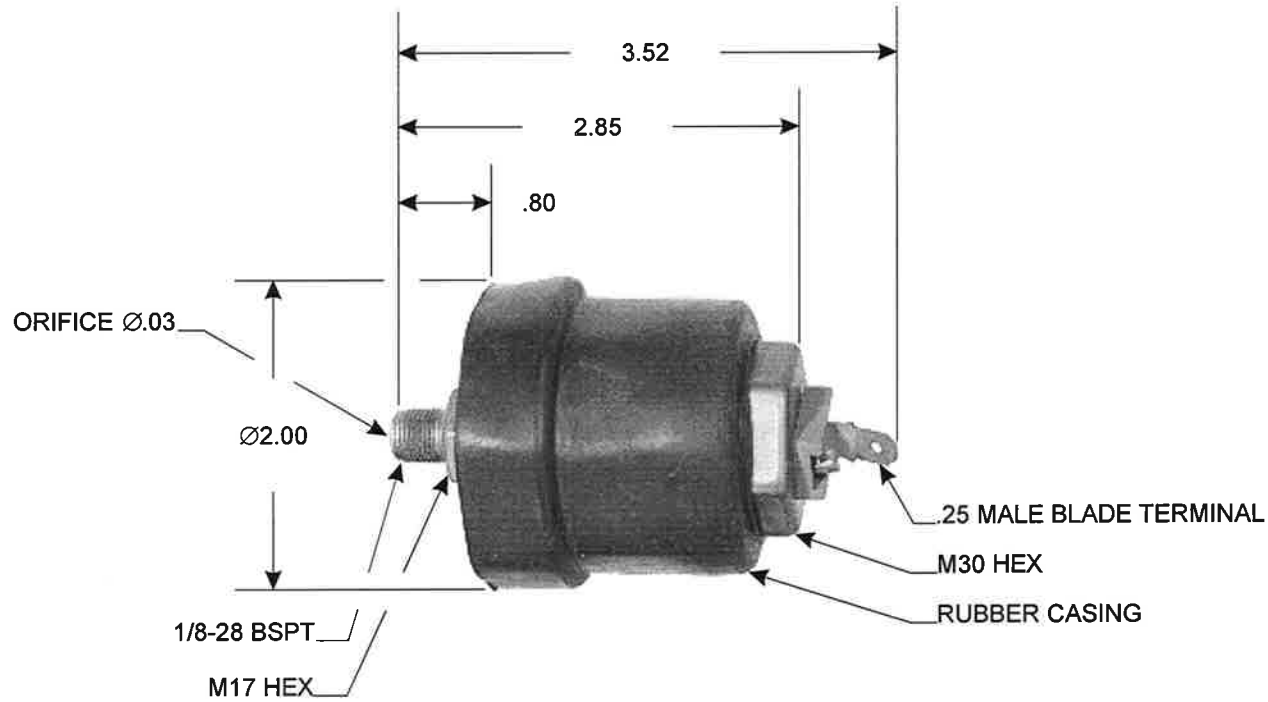
PART NO. PS256

TOLERANCES UNLESS SPECIFIED

TWO PLACE DECIMALS +/- .015

THREE PLACE DECIMALS +/- .005

ANGLES +/- 1°



PRESSURE (PSI)	5	40	80
RESISTANCE (OHMS)	48-64	34-47	17-23

REPLACES O.E.M. # B61P-18-501, F02Z-9278-B, F32Z-9278-A, SW2274, SWE2353

					MATERIAL	SCALE	NTS	WELLS MFG. CORP. FOND DU LAC, WISCONSIN	
						DATE	10-29-97	DWN. BY	DPH
					FINISH	ENGINEER	10-29-97	DAL	TITLE
						APPROVED	10-29-97	JSK	OIL PRESSURE SENDER
						PURCH.	<input type="checkbox"/>	PROD.	<input type="checkbox"/>
RELEASED		20526	1-28-97	DPH					PART NO.
L	REVISION	CN	DATE	BY	CAD REF.	PS256	MODEL		PS256